

TW700Ti WHITE

Professional Super Tweeter



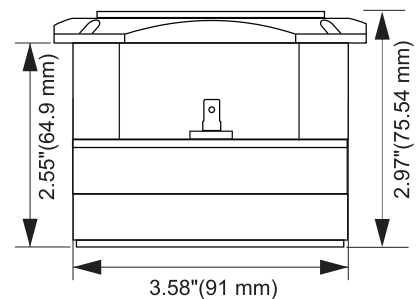
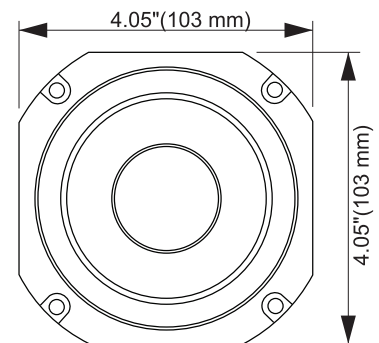
KEY FEATURES

- 1.5" Voice coil
- 120 Watts continuous power handling
- 107 dB Sensitivity
- Double Magnet
- High-grade Titanium Diaphragm



GENERAL SPECIFICATIONS

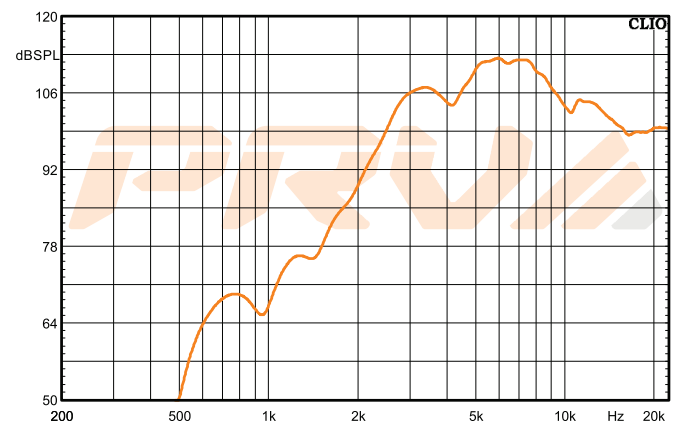
Nominal Impedance	8 Ohms
Rated Power Handling	120 Watts
Program Power	240 Watts
Sensitivity 2.83V at 1m*	107 dB
Recommended High Pass Crossover**	5000 Hz***
for Full Power Handling	*12 db/oct Crossover
Frequency Response at -10dB	3,500-20,000Hz
Voice Coil Diameter	1.5"(38 mm)
Voice Coil Wire	Copper
Voice Coil Former Material	Kapton®
Diaphragm Material	Titanium
Flux Density	1.60 T
Magnet Material	Ferrite



EXTRA INFO

Overall Depth	2.97" (75.54 mm)
Mounting Depth	2.55" (64.9 mm)
Overall Width	4.05" (103 mm)
Overall Height	4.05" (103 mm)
Cutout Diameter	3.58" (91 mm)
Net Weight	3.48 lbs (1.58 kg)
Shipping Weight	3.62 lbs (1.64 kg)
Carton Dimensions W x L x H	4.5" x 4.5" x 3.25" (114 x 114 x 82.5 mm)

Frequency Response Measured at 2.83v/1m



PRVA AUDIO USA (USA and Export) PRVA AUDIO BRAZIL (Brazilian Sales Only)
 POMPANO BEACH, FL SAO LEOPOLDO, RS
 support@prvaudio.com vendas@pvaudio.com.br
 www.prvaudio.com www.pvaudio.com.br