

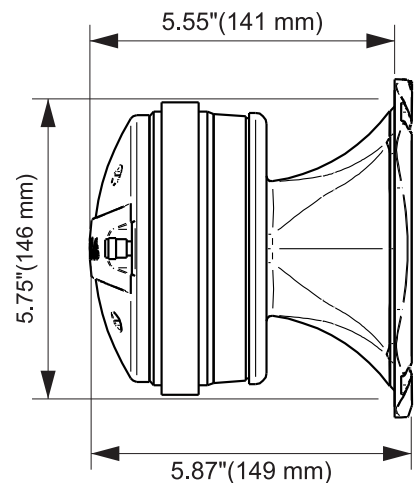
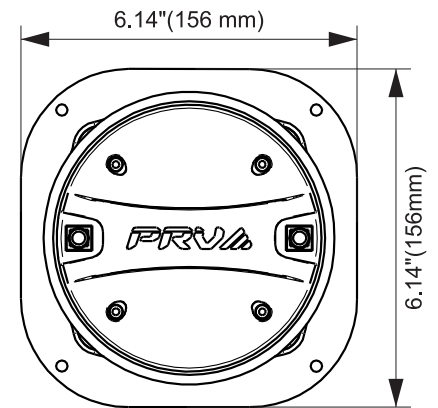
# WG2000Py SLIM

Professional Compression Driver



## KEY FEATURES

- 2" Voice coil and 2" exit
- 150 Watts continuous program power
- 107 dB Sensitivity
- WGP14-50X SLIM waveguide



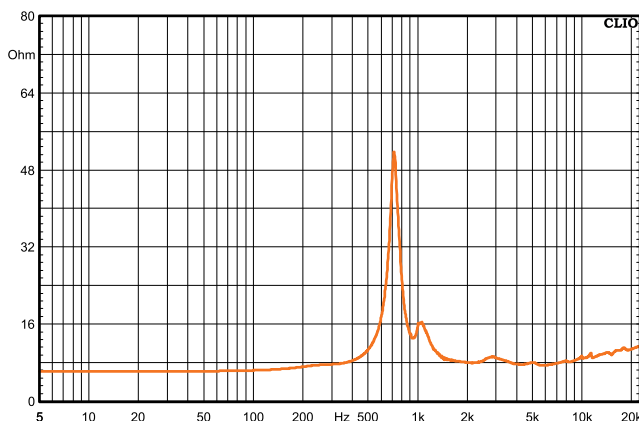
GENERAL SPECIFICATIONS

Exit Throat Diameter	2" (50 mm)
Nominal Impedance	8 Ohm
<b>Nominal Power Handling</b>	<b>75 Watts</b>
Continuous Program Power (RMS)	150 Watts
Peak Power	300 Watts
<b>Sensitivity 2.83V at 1m*</b>	<b>107 dB</b>
Recommended High Pass Crossover**	1000 Hz***
**for Full Power Handling	***12 db/oct Crossover
<b>Frequency Response at -10dB</b>	<b>1000-17,000Hz</b>
Voice Coil Diameter	2" (51 mm)
Voice Coil Wire	CCAW
Voice Coil Former Material	Kapton
Diaphragm Material	Polyimide
Flux Density	2.10 T
Magnet Material	Ferrite

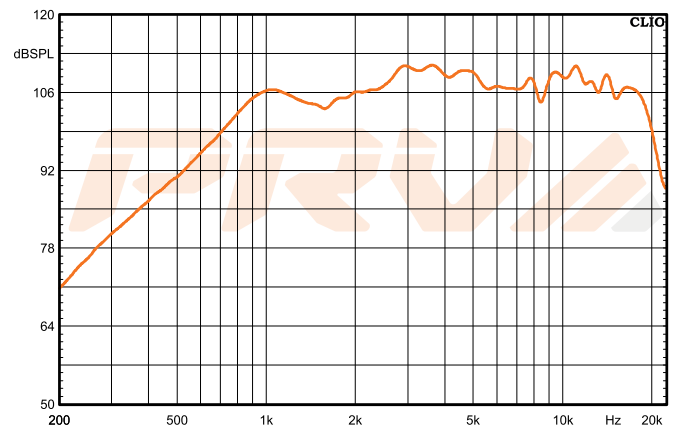
EXTRA INFO

Overall Depth	5.87" (149 mm)
Mounting Depth	5.55" (141 mm)
Overall Width	6.14" (156 mm)
Overall Height	6.14" (156 mm)
Baffle Cutout	5.75" (146 mm)
Net Weight	6.45 lb (2.94 kg)
Shipping Weight	7.05 lb (3.20 kg)
Carton Dimensions W x L x H	6.89" x 6.89" x 7.48"
	(175 x 175 x 190 mm)

Impedance Curve - Free Air



Frequency Response Measured at 2.83V/1m



PRV AUDIO USA (USA and Export)  
POMPAÑO BEACH, FL  
support@prvaudio.com  
www.prvaudio.com