

WG175Py-Nd SLIM

Professional Compression Driver



KEY FEATURES

- 1" Voice coil
- 150 Watts continuous program power
- 108 dB Sensitivity
- Polyimide diaphragm



Mounting option 1

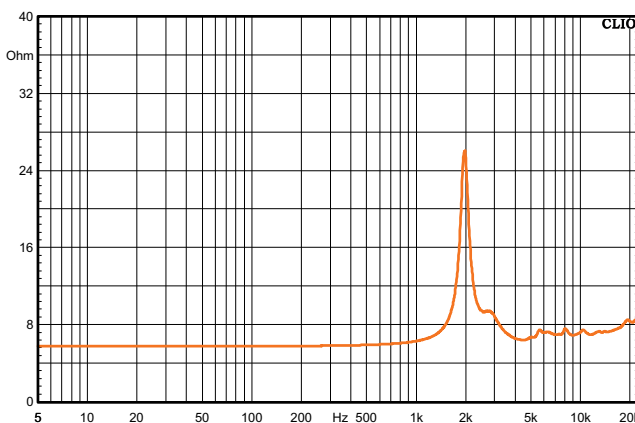


Mounting option 2

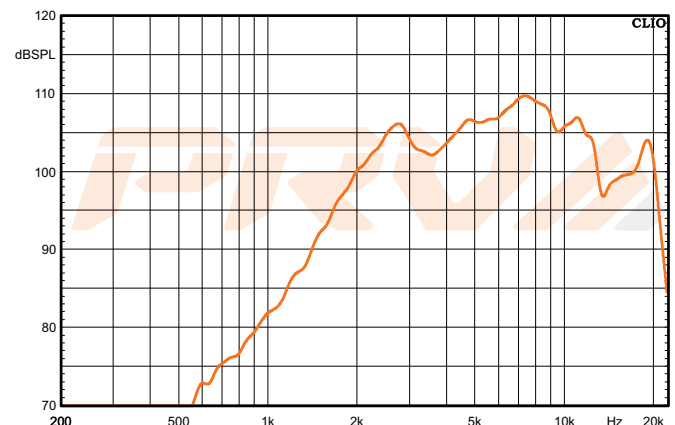
GENERAL SPECIFICATIONS

Nominal Impedance	8 Ohm
Nominal Power Handling	75 Watts
Continuous Program Power (RMS)	150 Watts
Max Peak Power	300 Watts
Sensitivity 2.83V at 1m*	108 dB
Recommended High Pass Filter**	1800 Hz***
for Full Power Handling	*12db/oct Crossover
Frequency Response at -10dB	1,600-20,000Hz
Voice Coil Diameter	1" (25 mm)
Voice Coil Wire	CCAW
Voice Coil Former Material	Kapton®
Diaphragm Material	Polyimide
Magnet Material	Neodymium

Impedance Curve - Free Air



Frequency Response Measured at 2.83V/1m



PRVA AUDIO USA (USA and Export)

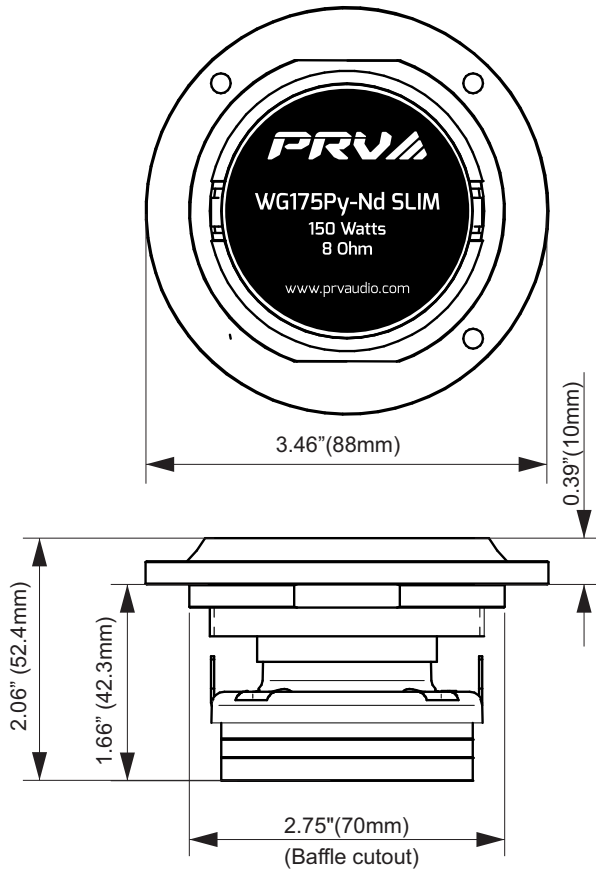
Fort Lauderdale, FL

support@prvaudio.com

www.prvaudio.com

Overall depth	2.06" (52.4 mm)
Mounting Depth	1.66"/1.74" (42.3/44.3 mm)
Overall Diameter	3.46"/2.72" (88/69 mm)
Cutout Diameter	2.75"/2.40" (70/61 mm)
Net Weight	1.1 lbs (0.50 kg)
Shipping Weight	1.21 lbs (0.55 kg)
Carton Dimensions W x L x H	4.53" x 4.53" x 3.35" (115 x 115 x 85 mm)

Mounting option 1:



Mounting option 2:

