

# TW150SD-4

Professional Super Tweeter



## KEY FEATURES

- 1.1" Voice coil
- 60 Watts nominal power handling
- 94 dB Sensitivity
- Silk Soft Dome Diaphragm



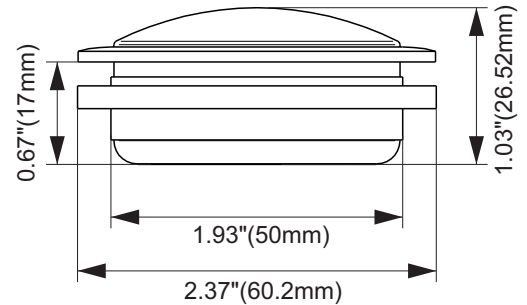
## GENERAL SPECIFICATIONS

Nominal Impedance	4 Ohm
<b>Nominal Power Handling</b>	<b>60 Watts</b>
Continuous Program Power(RMS)	120 Watts
Max Peak Power	240 Watts
<b>Sensitivity 2.00V at 1m*</b>	<b>94 dB</b>
Recommended High Pass Crossover-**	3,500 Hz***
**for Full Power Handling	***12db/oct Crossover
<b>Frequency Response at -10dB</b>	<b>2,000-20,000Hz</b>
Voice Coil Diameter	1.1" (28 mm)
Voice Coil Wire	CCAW
Voice Coil Former Material	Kapton®
Diaphragm Material	Silk
Magnet Material	Neodymium

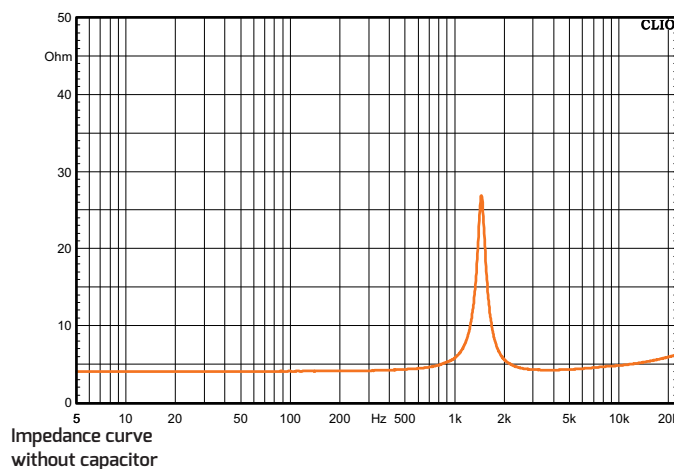


## EXTRA INFO

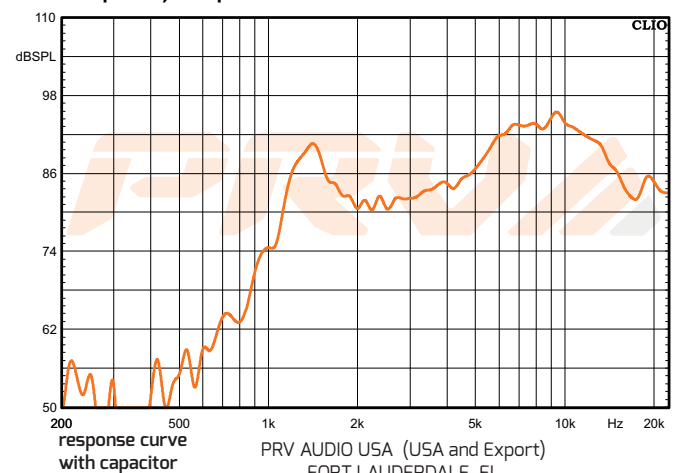
Overall depth	1.03" (26.2 mm)
Mounting Depth	0.67" (17 mm)
Overall Diameter	2.37" (60.2 mm)
Baffle Cutout Diameter	1.93" (50 mm)
Net Weight (piece)	0.29 lbs (0.13 kg)
Shipping Weight (pair)	0.73 lbs (0.33 kg)
Carton Dimensions W x L x H	2.83" x 6.18" x 1.65" (72 x 157 x 42 mm)



Impedance Curve - Free Air



Frequency Response Measured at 2.00V/1m



PRVA AUDIO USA (USA and Export)  
FORT LAUDERDALE, FL  
support@prvaudio.com  
www.prvaudio.com