

# RS8-SUBD4

Subwoofer



## KEY FEATURES

- 2.4" Voice coil
- 500 Watts continuous program power
- 82 dB Sensitivity



## GENERAL SPECIFICATIONS

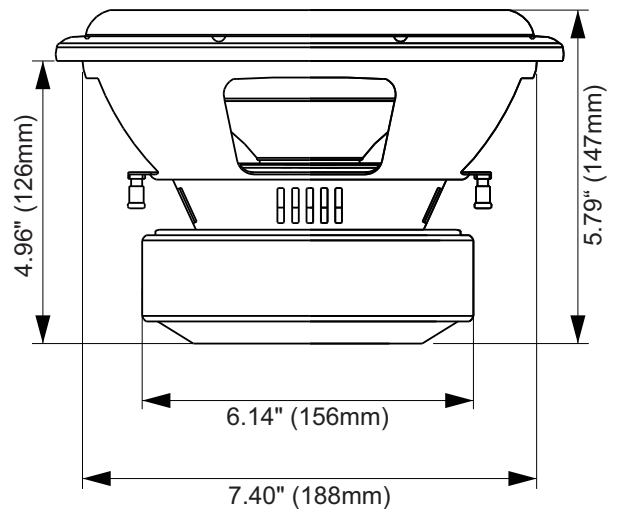
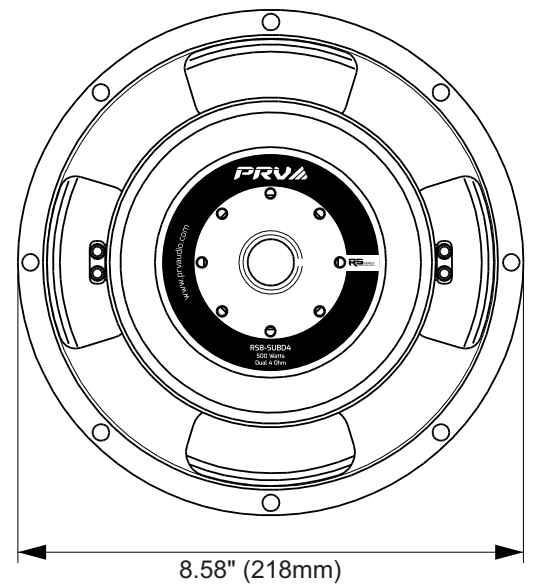
Nominal Diameter	8" (203 mm)
Nominal impedance	4 + 4 Ohm
<b>Nominal Power Handling</b>	<b>250 Watts</b>
Continuous Program Power (RMS)	500 Watts
Max Peak Power	1000 Watts
<b>Sensitivity 1.41V at 1m</b>	<b>82 dB (Parallel VC)</b>
Voice Coil Diameter	2.4" (61.1 mm)
Voice Coil Wire	Copper
Voice Coil Winding Depth	33.0 mm
Former Material	Black Aluminum
Magnetic Gap Depth	8.0 mm
Frame Material	Stamped Steel

## THIELE-SMALL PARAMETERS

Equivalent Volume	Vas	3.79 l
Excursion (mathematical)**	Xmax	14.5 mm
Free Air Resonance	Fs	53.4 Hz
Mechanical Factor	Qms	8.13
Electrical Factor	Qes	0.82
Total Factor	Qts	0.75
Cone Area	Sd	201 cm <sup>2</sup>
Mechanical Mass	Mms	132.2 g
Bl Factor	BL	9.55 Tm
Dc Resistance (Parallel VC)	Re	1.7 Ohm
Inductance	Le	1.24 mH at 1 kHz
Mechanical Mass Without Air	Mmd	130.6 g
Mechanical Compliance	Cms	0.06 mm/N

## EXTRA INFO

Overall Diameter	8.58" (218 mm)
Front Mount Baffle Cutout	7.40" (188 mm)
Mounting Depth	4.96" (126 mm)
Overall Depth	5.79" (147 mm)
Net Weight	17.78 Lbs (6.25 kg)
Shipping Weight	15.43 Lbs (7.00 kg)
Carton Dimensions W x L x H	9.25" x 9.25" x 6.89" (235 x 235 x 175 mm)



## RECOMMENDED ENCLOSURE

Type	Volume	Box Size	Port Size	Box Tuning
Sealed Enclosure	0.54 ft <sup>3</sup>	11"x10"x8.5"	None	55 Hz
Single Sub Ported Enclosure	0.78 ft <sup>3</sup>	9"x15"x10"	Slot shaped "9x1.25" by 21" Length	50 Hz
Dual Sub Ported Enclosure	1.85 ft <sup>3</sup>	10"x23"x14"	Slot shaped "10"x1.25" by 28" Length	42 Hz

PRVA AUDIO USA (USA and Export)  
POMPANO BEACH, FL  
support@prvaudio.com  
www.prvaudio.com

\*\*Xmax=(Voice coil winding depth-Magnetic Gap depth)/2+ Magnetic Gap Depth/4