

# RS65-SUBD4

Subwoofer



## KEY FEATURES

- 2.0" Voice coil
- 300 Watts continuous program power
- 82 dB Sensitivity



## GENERAL SPECIFICATIONS

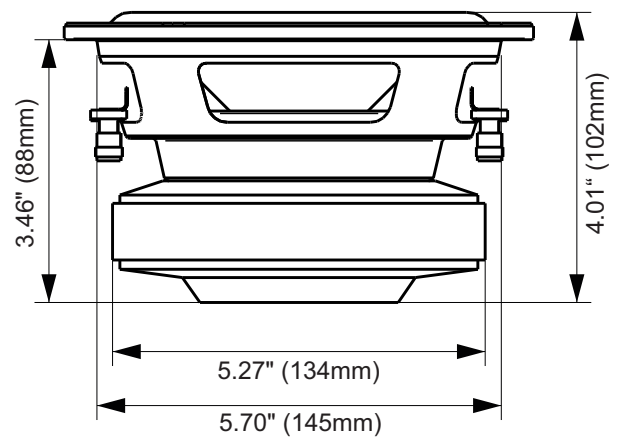
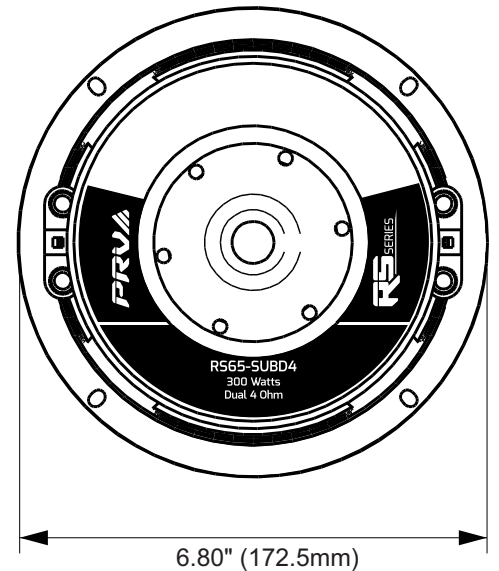
Nominal Diameter	6.5" (165 mm)
Nominal impedance	4 + 4 Ohm
<b>Nominal Power Handling</b>	<b>150 Watts</b>
Continuous Program Power (RMS)	300 Watts
Max Peak Power	600 Watts
<b>Sensitivity 1.41V at 1m</b>	<b>82 dB (Parallel VC)</b>
Voice Coil Diameter	2.0" (50 mm)
Voice Coil Wire	Copper
Voice Coil Winding Depth	21.0 mm
Former Material	Black Aluminum
Magnetic Gap Depth	8.0 mm
Frame Material	Stamped Steel

## THIELE-SMALL PARAMETERS

Equivalent Volume	Vas	2.07 l
Excursion (mathematical)**	Xmax	8.75 mm
Free Air Resonance	Fs	64.5 Hz
Mechanical Factor	Qms	5.00
Electrical Factor	Qes	0.66
Total Factor	Qts	0.58
Cone Area	Sd	123 cm <sup>2</sup>
Mechanical Mass	Mms	61.79 g
Bl Factor	BL	7.98 Tm
Dc Resistance (Parallel VC)	Re	1.7 Ohm
Inductance	Le	0.95 mH at 1 kHz
Mechanical Mass Without Air	Mmd	61.02 g
Mechanical Compliance	Cms	0.09 mm/N

## EXTRA INFO

Overall Diameter	6.80" (172.5 mm)
Front Mount Baffle Cutout	5.70" (145 mm)
Mounting Depth	3.46" (88 mm)
Overall Depth	4.01" (102 mm)
Net Weight	7.27 Lbs (3.30 kg)
Shipping Weight	8.81 Lbs (4.00 kg)
Carton Dimensions W x L x H	8.07" x 8.07" x 5.71" (205 x 205 x 145 mm)



## RECOMMENDED ENCLOSURE

Type	Volume	Box Size	Port Size	Box Tuning
Sealed Enclosure	0.15 ft <sup>3</sup>	7"x7"x5.5"	None	55 Hz
Single Sub Ported Enclosure	0.26 ft <sup>3</sup>	7"x14"x5.5"	Triangle shaped 2.5"x2.5"x3.5" by 12" Length	50 Hz
Dual Sub Ported Enclosure	0.81 ft <sup>3</sup>	7"x20"x10"	Slot shaped 7"x1.25" by 16.5" Length	45 Hz

PRV AUDIO USA (USA and Export)  
POMPANO BEACH, FL  
support@prvaudio.com  
www.prvaudio.com

\*\*Xmax=(Voice coil winding depth-Magnetic Gap depth)/2+ Magnetic Gap Depth/4