

# MT10SW1000 D4

## Subwoofer



### KEY FEATURES

- 2.0" Voice coil
- 1000 Watts continuous program power
- 86 dB Sensitivity



### GENERAL SPECIFICATIONS

Nominal Diameter	10" (254 mm)
Nominal impedance	4 + 4 Ohm
<b>Nominal Power Handling</b>	<b>500 Watts</b>
Continuous Program Power (RMS)	1000 Watts
Max Peak Power	2000 Watts
<b>Sensitivity 1.41V at 1m</b>	<b>86 dB (Parallel VC)</b>
Voice Coil Diameter	2.0" (50 mm)
Voice Coil Wire	Copper
Voice Coil Winding Depth	33.0 mm
Former Material	Black Aluminum
Magnetic Gap Depth	10 mm
Frame Material	Die cast Aluminum

### THIELE-SMALL PARAMETERS

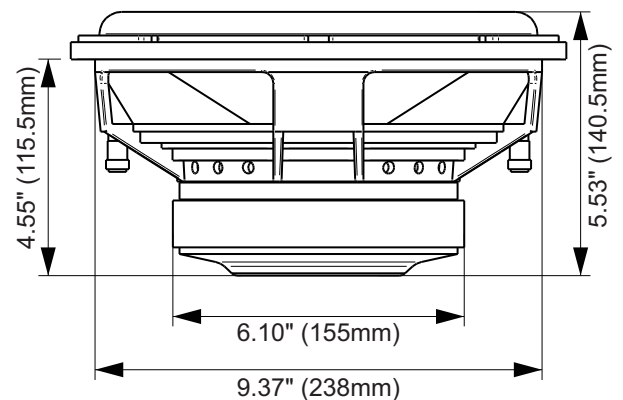
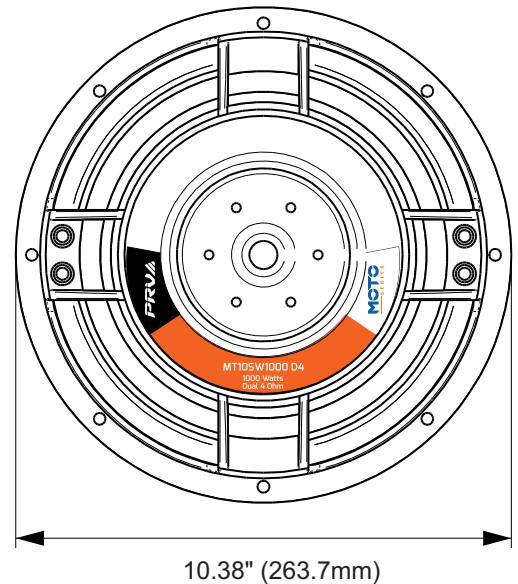
Equivalent Volume	Vas	29.9 l
Excursion (mathematical)***	Xmax	14.00 mm
Free Air Resonance	Fs	36.2 Hz
Mechanical Factor	Qms	7.01
Electrical Factor	Qes	0.55
Total Factor	Qts	0.51
Cone Area	Sd	391 cm <sup>2</sup>
Mechanical Mass	Mms	140.9 g
Bl Factor	BL	9.91 Tm
Dc Resistance (Parallel VC)	Re	1.7 Ohm
Inductance	Le	1.17 mH at 1 kHz
Mechanical Mass Without Air	Mmd	136.4 g
Mechanical Compliance	Cms	0.137 mm/N

### EXTRA INFO

Overall Diameter	10.38" (263.7 mm)
Front Mount Baffle Cutout	9.37" (238 mm)
Mounting Depth	4.55" (115.5 mm)
Overall Depth	5.53" (140.5 mm)
Net Weight	12.01 Lbs (5.45 kg)
Shipping Weight	14.13 Lbs (6.5 kg)
Carton Dimensions W x L x H	11.6" x 11.6" x 7.1" (295 x 295 x 180 mm)

### RECOMMENDED ENCLOSURE

Type	Volume	Port Size	Port Tuning
Compact Sealed Enclosure	0.9 ft <sup>3</sup>	None	None
Compact Ported Enclosure	1 ft <sup>3</sup>	3" Diameter by 7" Length	45 Hz
Recommended Enclosure	1.25 ft <sup>3</sup>	3" Diameter by 9" Length	37 Hz



\*\*Xmax=(Voice coil winding depth-Magnetic Gap depth)/2+ Magnetic Gap Depth/4  
 \*\*\* T-S parameters measured after 2 hours at 1/2 Rated power, pink noise preconditioning test