

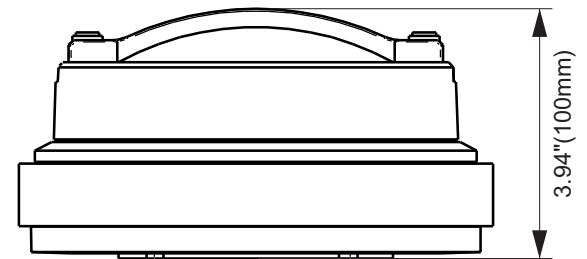
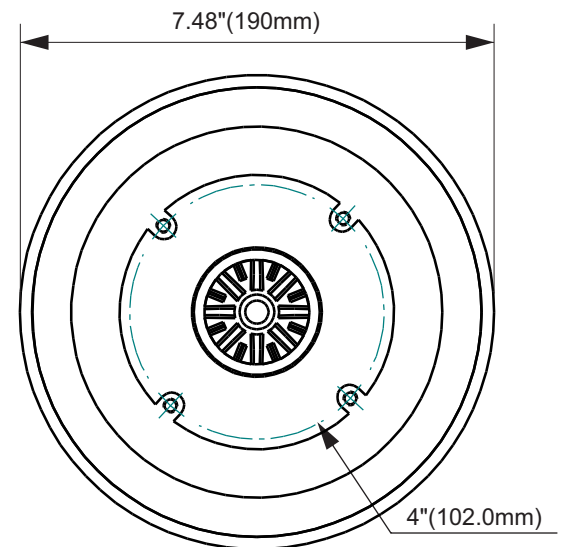
D4500Ph

Professional Compression Driver



KEY FEATURES

- 4" Voice coil and 2" exit
- 500 Watts continuous program power
- 108 dB Sensitivity
- Phenolic diaphragm



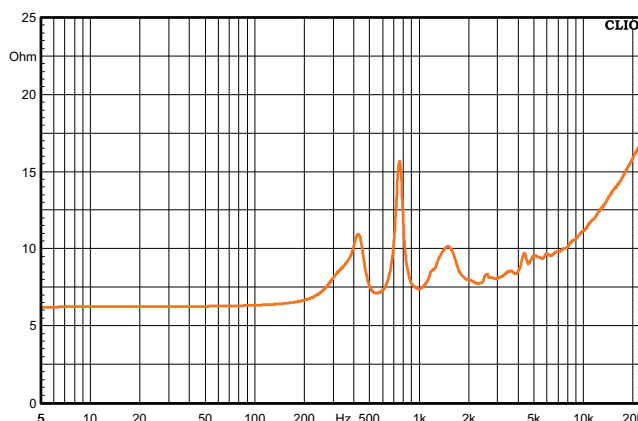
GENERAL SPECIFICATIONS

Exit Throat Diameter	2" (50 mm)
Nominal Impedance	8 Ohm
Nominal Power Handling	250 Watts
Continuous Program Power (RMS)	500 Watts
Peak Power	1000 Watts
Sensitivity 2.83V at 1m*	108 dB
Recommended High Pass Crossover**	600 Hz***
for Full Power Handling	*12 db/oct Crossover
Frequency Response at -10dB	450 - 6,000Hz
Voice Coil Diameter	4" (98 mm)
Voice Coil Wire	Copper
Voice Coil Former Material	Kapton®
Diaphragm Material	Phenolic
Flux Density	1.72 T
Magnet Material	Ferrite

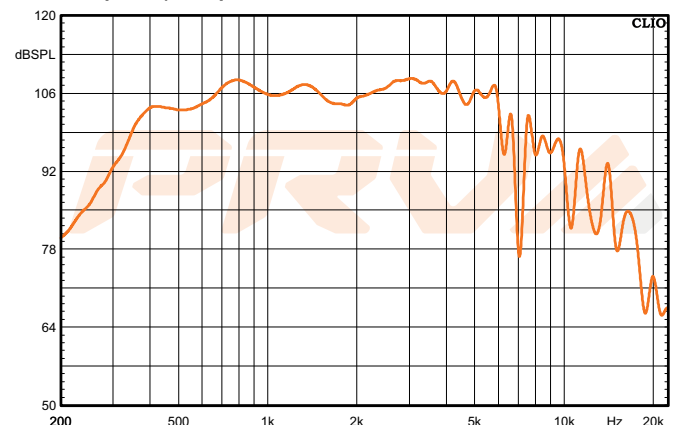
EXTRA INFO

Overall Diameter	7.48" (190 mm)
Overall Depth	3.94" (100 mm)
Mounting Bolt Circle	M6 x 4" (102 mm)
Net Weight	16.65 lbs (7.55 kg)
Shipping Weight	17.20 lbs (7,80 kg)
Carton Dimensions W x L x H	7.87" x 7.87" x 5.63" (200 x 200 x 143 mm)

Impedance Curve - Free Air



Frequency Response Measured at 2.83V/1m



*Frequency Response and Impedance curve Measured on WG14-50CR

PRV AUDIO USA (USA and Export)
POMPANO BEACH, FL
support@prvaudio.com
www.prvaudio.com