

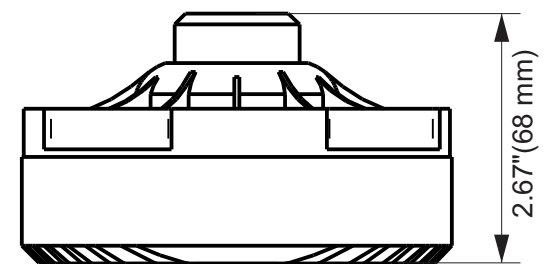
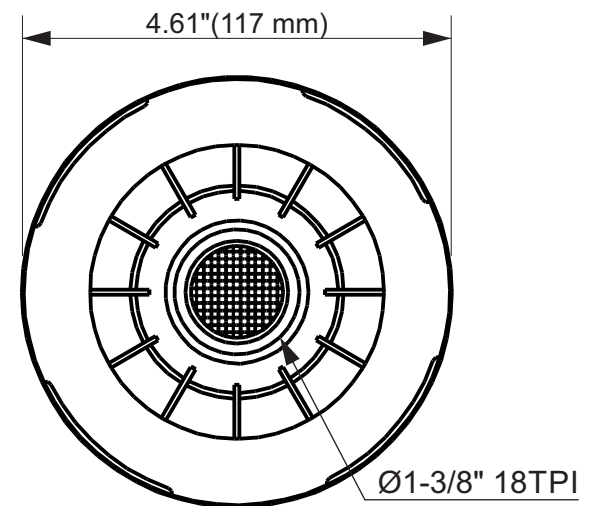
D275Ph-S

Professional Compression Driver



KEY FEATURES

- 1" Exit driver
- 200 Watts continuous program power
- 106 dB Sensitivity
- Phenolic diaphragm
- 500 - 6,500 diaphragm



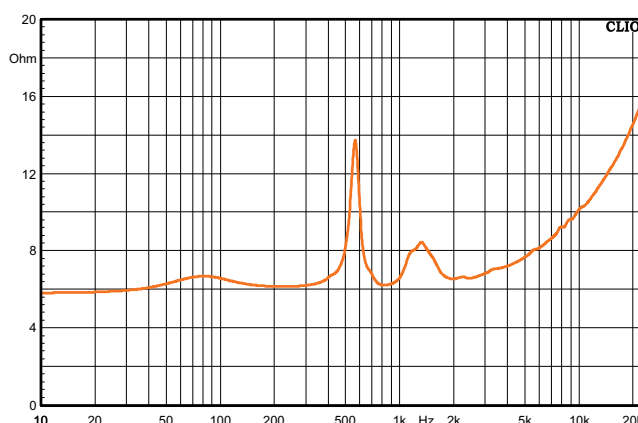
GENERAL SPECIFICATIONS

Exit Throat Diameter	1" (25.4 mm)
Nominal Impedance	8 Ohm
Nominal Power Handling	100 Watts
Continuous Program Power (RMS)	200 Watts
Peak Power	400 Watts
Sensitivity 2.83V at 1m*	106 dB
Recommended High Pass Crossover**	600 Hz***
for Full Power Handling	*12 db/oct Crossover
Frequency Response at -10dB	500 - 6,500Hz
Voice Coil Diameter	2" (51 mm)
Voice Coil Wire	Copper
Voice Coil Former Material	Kapton®
Diaphragm Material	Phenolic Resin
Flux Density	1.1 T
Magnet Material	Ferrite

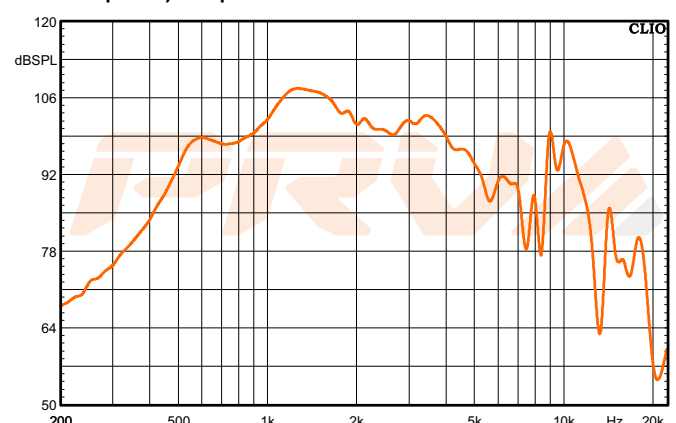
EXTRA INFO

Overall Diameter	4.61" (117 mm)
Overall Depth	2.67" (68 mm)
Mounting Thread	1 3/8" 18 TPI
Net Weight	1.91 lbs (0.87 kg)
Shipping Weight	2.03 lbs (0.92 kg)
Carton Dimensions W x L x H	5.0" x 5.0" x 3.0" (127 x 127 x 75 mm)

Impedance Curve - Free Air



Frequency Response Measured at 2.83V/1m



*Frequency Response and Impedance curve Measured on WG14-25 S

PRVA AUDIO USA (USA and Export)
POMPANO BEACH, FL
support@prvaudio.com
www.prvaudio.com