

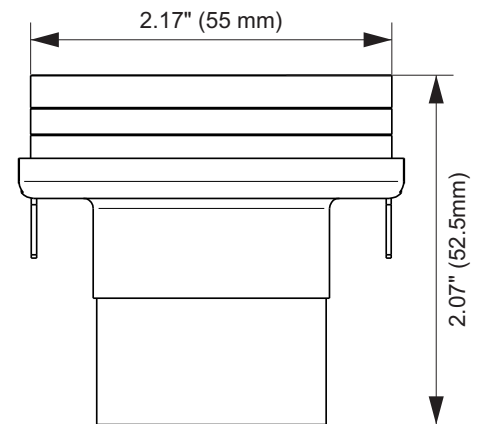
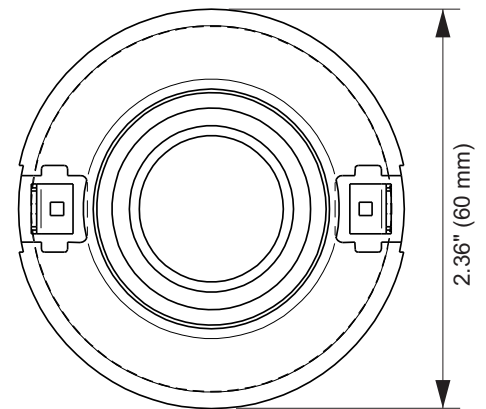
D175Py-S-Nd

Professional Compression Driver



KEY FEATURES

- 1" Voice coil and 1" exit
- 150 Watts continuous program power
- 109 dB Sensitivity
- Polyimide diaphragm



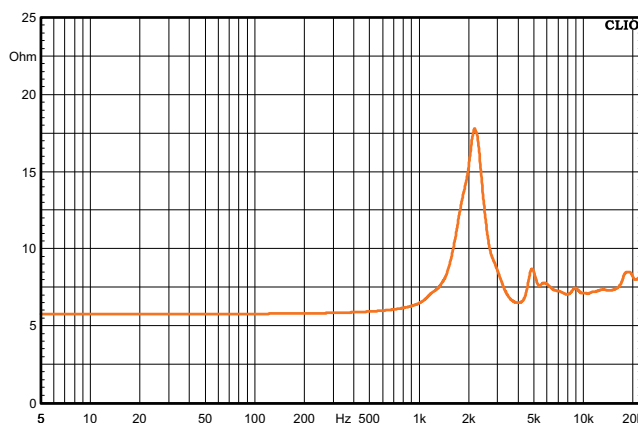
GENERAL SPECIFICATIONS

Exit Throat Diameter	1" (25.4 mm)
Nominal Impedance	8 Ohm
Nominal Power Handling	75 Watts
Continuous Program Power (RMS)	150 Watts
Peak Power	300 Watts
Sensitivity 2.83V at 1m*	109 dB
Recommended High Pass Crossover**	1200 Hz***
for Full Power Handling	*12 db/oct Crossover
Frequency Response at -10dB	1,200-20,000Hz
Voice Coil Diameter	1" (25 mm)
Voice Coil Wire	CCAW
Voice Coil Former Material	Kapton®
Diaphragm Material	Polyimide
Flux Density	1.75 T
Magnet Material	Neodymium

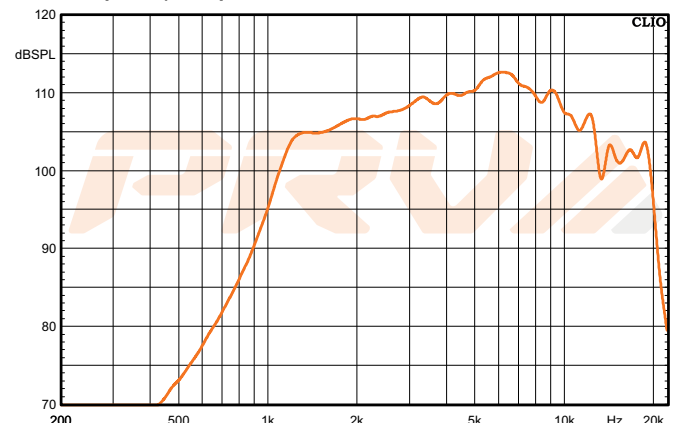
EXTRA INFO

Overall Diameter	2.36" (60 mm)
Overall Depth	2.07" (52.5 mm)
Mounting Thread	1 3/8" 18TPI
Net Weight	0.66 lbs (0.3 kg)
Shipping Weight	0.77lbs (0.35 kg)
Carton Dimensions W x L x H	2.56" x 2.56" x 2.36" (65 x 65 x 60 mm)

Impedance Curve - Free Air



Frequency Response Measured at 2.83V/1m



*Frequency Response and Impedance curve Measured on WGP12-25 SLIM

PRVA AUDIO USA (USA and Export)
Fort Lauderdale, FL
support@prvaudio.com
www.prvaudio.com