

8MR600X

Professional Mid Range Driver



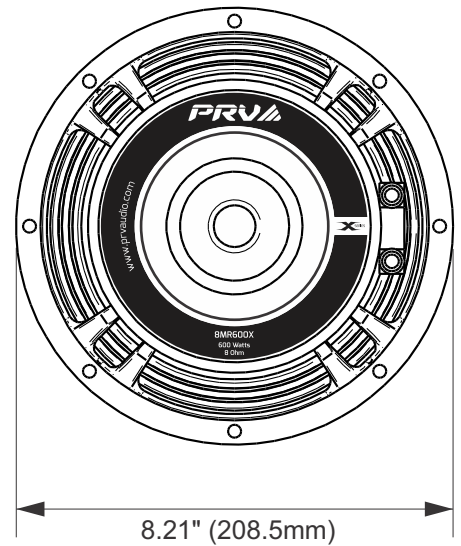
KEY FEATURES

- 2" Voice coil
- 600 Watts continuous program power
- 98 dB Sensitivity
- 85 - 8,500 Hz



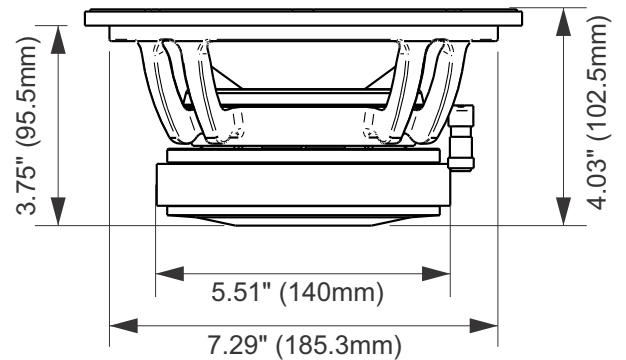
GENERAL SPECIFICATIONS

Nominal Diameter	8" (203 mm)
Nominal impedance	8 Ohm
Nominal Power Handling	300 Watts
Continuous Program Power (RMS)	600 Watts
Max Peak Power	1200 Watts
Sensitivity 2.83V at 1m	98 dB
Recommended Hi Pass Crossover*	145 Hz*
<small>*For Full Power Handling</small>	<small>*12db Per Octave Crossover</small>
Frequency Response	85 - 8,500 Hz
Voice Coil Diameter	2" (51 mm)
Voice Coil Wire	CCA W
Voice Coil Winding Depth	14.5 mm
Former Material	Polyimide
Magnetic Gap Depth	8.0 mm
Frame Material	Die Cast Aluminum



THIELE-SMALL PARAMETERS

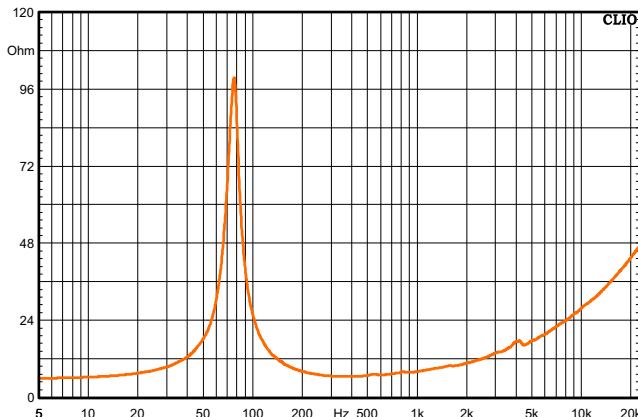
Equivalent Volume	Vas	19.99 l
Excursion (mathematical)***	Xmax	5.25 mm
Free Air Resonance	Fs	76.90 Hz
Mechanical Factor	Qms	7.07
Electrical Factor	Qes	0.43
Total Factor	Qts	0.40
Cone Area	Sd	241 cm ²
Mechanical Mass	Mms	17.31 g
Bl Factor	Bl	10.54 Tm
Dc Resistance	Re	5.7 Ohm
Inductance	Le	0.49 mH at 1 kHz
Mechanical Mass Without Air	Mmd	15.19 g
Mechanical Compliance	Cms	0.247 mm/N



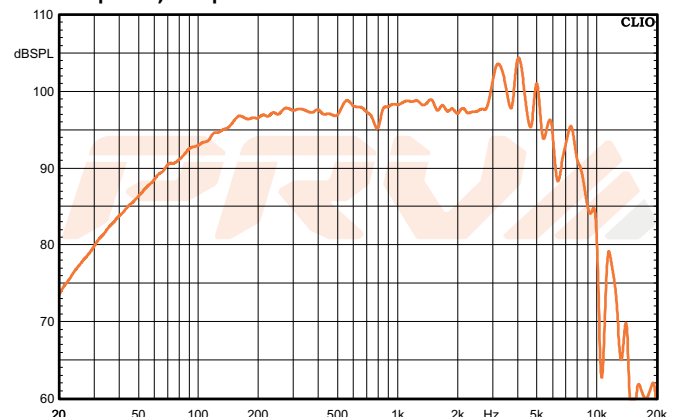
EXTRA INFO

Overall Diameter	8.21" (208.5 mm)
Front Mount Baffle Cutout	7.29" (185.3 mm)
Mounting Depth	3.75" (95.5 mm)
Overall Depth	4.03" (102.5 mm)
Net Weight	7.04 Lbs (3.20 kg)
Shipping Weight	7.60 Lbs (3.45 kg)
Carton Dimensions W x L x H	8.85" x 8.85" x 4.92" (225 x 225 x 125 mm)

Impedance Curve - Free Air



Frequency Response Measured at 2.83V/1m



***Xmax=(Voice coil winding depth-Magnetic Gap depth)/2+ Magnetic Gap Depth/4

PRVA AUDIO USA (USA and Export)
POMPANO BEACH, FL
support@prvaudio.com
www.prvaudio.com