

8MR500SEAL PRO

Professional Mid Range Driver



KEY FEATURES

- 2" Voice coil
- 500 Watts continuous program power
- 97 dB Sensitivity
- 400 - 7,500 Hz



GENERAL SPECIFICATIONS

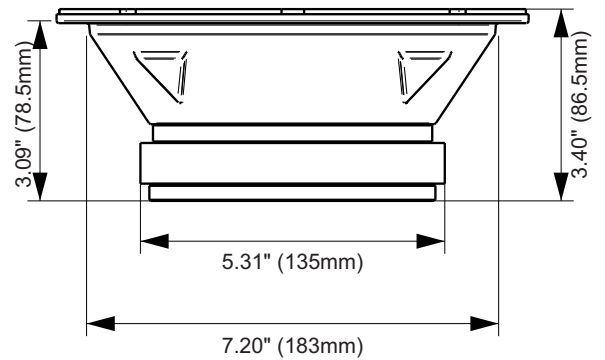
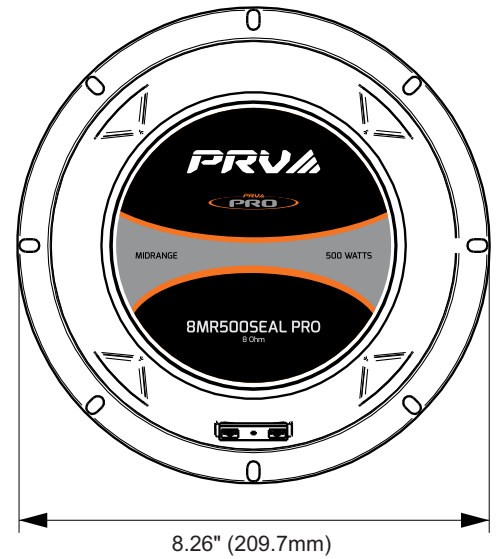
Nominal Diameter	8" (203 mm)
Nominal impedance	8 Ohm
Nominal Power Handling	250 Watts
Continuous Program Power (RMS)	500 Watts
Max Peak Power	1000 Watts
Sensitivity 2.83V at 1m	97 dB
Recommended Hi Pass Crossover*	400 Hz*
<small>*For Full Power Handling</small>	<small>*12db Per Octave Crossover</small>
Frequency Response	400 - 7,500 Hz
Voice Coil Diameter	2" (50 mm)
Voice Coil Wire	CCAW
Voice Coil Winding Depth	12.0 mm
Former Material	Kapton
Magnetic Gap Depth	8.0 mm
Frame Material	Stamped Steel

THIELE-SMALL PARAMETERS

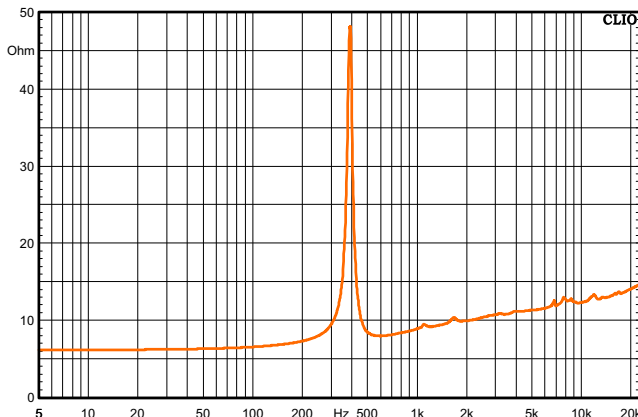
Equivalent Volume	Vas	0.97 l
Excursion (mathematical)***	Xmax	4.00 mm
Free Air Resonance	Fs	392.2 Hz
Mechanical Factor	Qms	18.14
Electrical Factor	Qes	2.58
Total Factor	Qts	2.26
Cone Area	Sd	241 cm ²
Mechanical Mass	Mms	13.63 g
Bl Factor	Bl	8.83 Tm
Dc Resistance	Re	6.0 Ohm
Inductance	Le	0.25 mH at 1 kHz
Mechanical Mass Without Air	Mmd	11.53 g
Mechanical Compliance	Cms	0.012 mm/N

EXTRA INFO

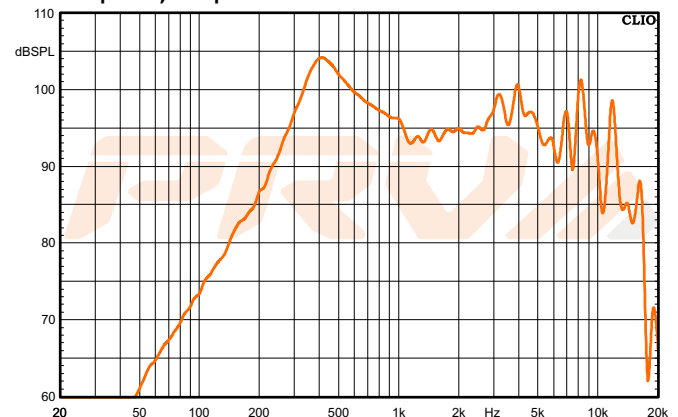
Overall Diameter	8.26" (209.7 mm)
Front Mount Baffle Cutout	7.20" (183 mm)
Mounting Depth	3.09" (78.5 mm)
Overall Depth	3.40" (86.5 mm)
Net Weight	6.40 Lbs (2.90 kg)
Shipping Weight	7.0 Lbs (3.18 kg)
Carton Dimensions W x L x H	9.05" x 9.05" x 3.94" (230 x 230 x 100 mm)



Impedance Curve - Free Air



Frequency Response Measured at 2.83V/1m



**Xmax=(Voice coil winding depth-Magnetic Gap depth)/2+ Magnetic Gap Depth/4
 *** T-S parameters measured after 2 hours at 1/2 Rated power, pink noise preconditioning test

PRVA AUDIO USA (USA and Export)
 POMPANO BEACH, FL
 support@prvaudio.com
 www.prvaudio.com