

# 8MB450-4 v2

Professional Mid Bass Driver



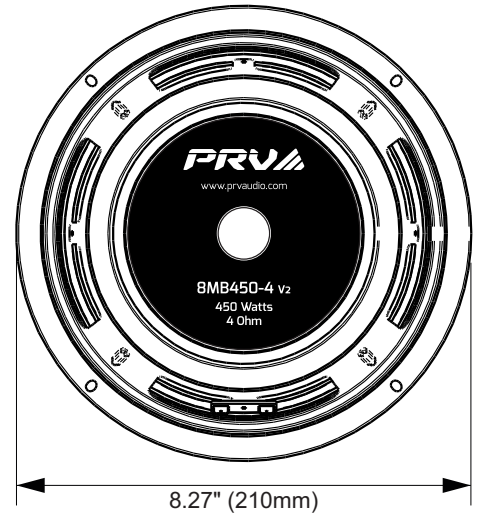
## KEY FEATURES

- 2" Voice coil
- 450 Watts continuous program power
- 93.5 dB Sensitivity
- 75-7,500 Hz



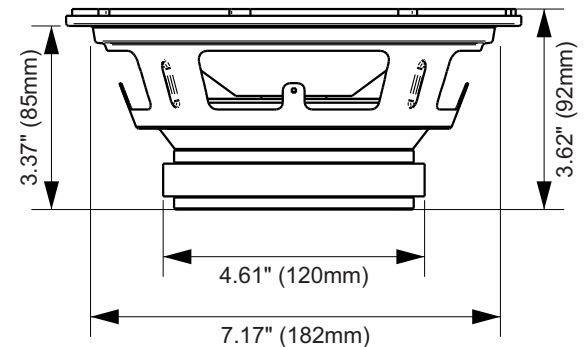
GENERAL SPECIFICATIONS

Nominal Diameter	8" (203 mm)
Nominal impedance	4 Ohm
<b>Nominal Power Handling</b>	<b>225 Watts</b>
Continuous Program Power (RMS)	450 Watts
Max Peak Power	900 Watts
<b>Sensitivity 2.00V at 1m</b>	<b>93.5 dB</b>
Recommended Hi Pass Crossover*	120 Hz*
<small>*For Full Power Handling</small>	<small>*12db Per Octave Crossover</small>
<b>Frequency Response</b>	<b>75 - 7,500 Hz</b>
Voice Coil Diameter	2" (50 mm)
Voice Coil Wire	CCAW
Voice Coil Winding Depth	12.0 mm
Former Material	Kapton
Magnetic Gap Depth	6.0 mm
Frame Material	Stamped Steel



THIELE-SMALL PARAMETERS

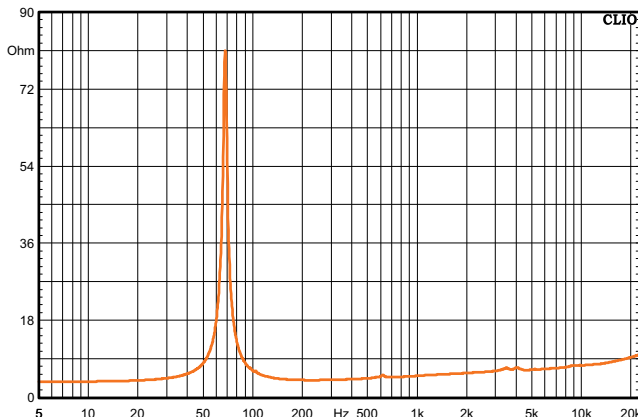
Equivalent Volume	Vas	17.02 l
Excursion (mathematical)***	Xmax	4.50 mm
Free Air Resonance	Fs	76.59 Hz
Mechanical Factor	Qms	22.84
Electrical Factor	Qes	0.92
Total Factor	Qts	0.88
Cone Area	Sd	241 cm <sup>2</sup>
Mechanical Mass	Mms	20.48 g
Bl Factor	Bl	6.19 Tm
Dc Resistance	Re	3.6 Ohm
Inductance	Le	0.17 mH at 1 kHz
Mechanical Mass Without Air	Mmd	18.37 g
Mechanical Compliance	Cms	0.210 mm/N



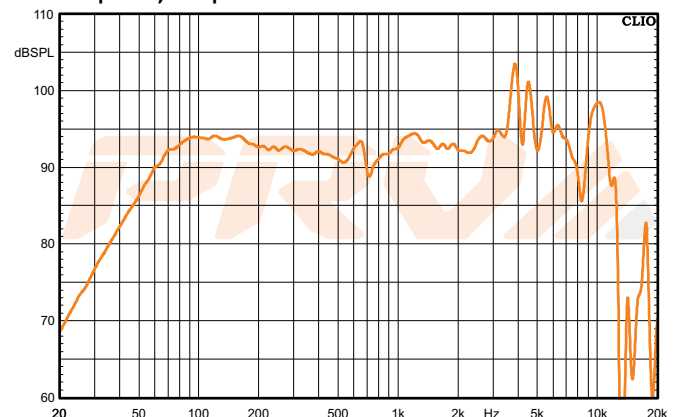
EXTRA INFO

Overall Diameter	8.27" (210 mm)
Front Mount Baffle Cutout	7.17" (182 mm)
Mounting Depth	3.37" (85 mm)
Overall Depth	3.62" (92 mm)
Net Weight	4.10 Lbs (1.86 kg)
Shipping Weight	4.54 Lbs (2.06 kg)
Carton Dimensions W x L x H	9.05" x 9.05" x 4.72" (230 x 230 x 120 mm)

Impedance Curve - Free Air



Frequency Response Measured at 2.00V/1m



\*\*\*Xmax=(Voice coil winding depth-Magnetic Gap depth)/2+ Magnetic Gap Depth/4

PRVA AUDIO USA (USA and Export)  
POMPANO BEACH, FL  
support@prvaudio.com  
www.prvaudio.com