

6MB200 v2

Professional Mid Bass Driver



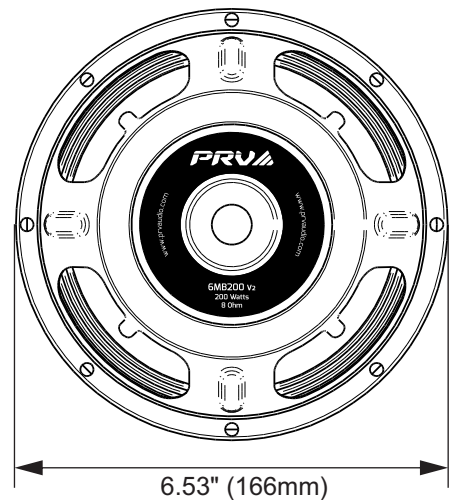
KEY FEATURES

- 1.5" Voice coil
- 200 Watts continuous program power
- 93.5 dB Sensitivity
- 125 - 6,500 Hz



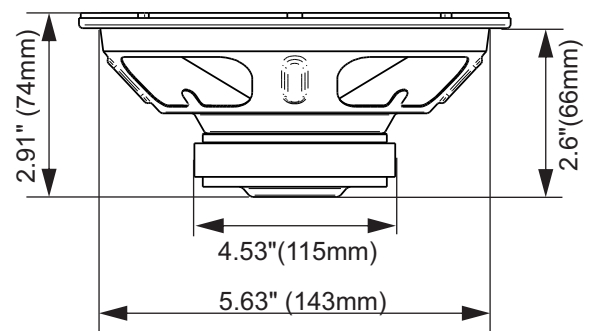
GENERAL SPECIFICATIONS

Nominal Diameter	6" (152 mm)
Nominal impedance	8 Ohm
Nominal Power Handling	100 Watts
Continuous Program Power (RMS)	200 Watts
Max Peak Power	400 Watts
Sensitivity 2.83V at 1m	93.5 dB
Recommended Hi Pass Crossover*	125 Hz*
<small>*For Full Power Handling</small>	<small>*12db Per Octave Crossover</small>
Frequency Response	125 - 6,500 Hz
Voice Coil Diameter	1.5" (38 mm)
Voice Coil Wire	Copper
Voice Coil Winding Depth	12.5 mm
Former Material	Kapton
Magnetic Gap Depth	5.8 mm
Frame Material	Stamped Steel



THIELE-SMALL PARAMETERS

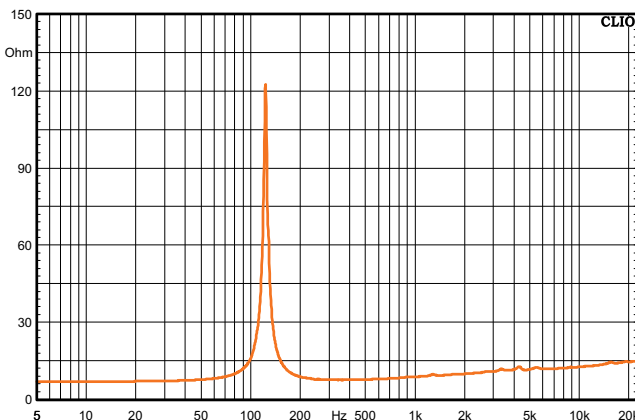
Equivalent Volume	Vas	4.13 l
Excursion (mathematical)***	Xmax	4.80 mm
Free Air Resonance	Fs	123.28 Hz
Mechanical Factor	Qms	20.81
Electrical Factor	Qes	1.20
Total Factor	Qts	1.13
Cone Area	Sd	154 cm ²
Mechanical Mass	Mms	11.57 g
Bl Factor	Bl	7.05 Tm
Dc Resistance	Re	6.7 Ohm
Inductance	Le	0.25 mH at 1 kHz
Mechanical Mass Without Air	Mmd	10.55 g
Mechanical Compliance	Cms	0.144 mm/N



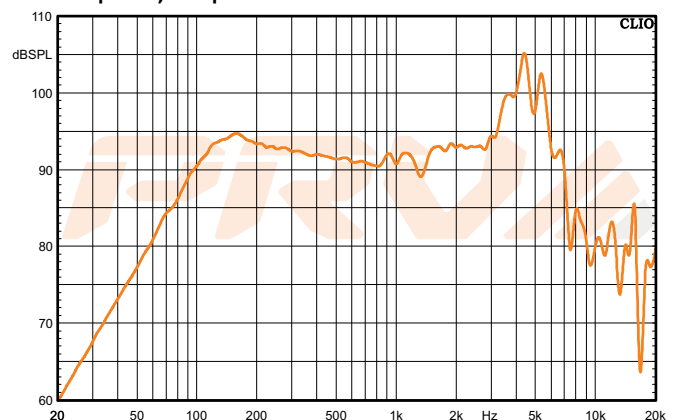
EXTRA INFO

Overall Diameter	6.53" (166 mm)
Front Mount Baffle Cutout	5.63" (143 mm)
Mounting Depth	2.6" (66 mm)
Overall Depth	2.91" (74 mm)
Net Weight	3.30 Lbs (1.50 kg)
Shipping Weight	3.62 Lbs (1.64 kg)
Carton Dimensions W x L x H	7.17" x 7.17" x 4.13" (182 x 182 x 105 mm)

Impedance Curve - Free Air



Frequency Response Measured at 2.83V/1m



***Xmax=(Voice coil winding depth-Magnetic Gap depth)/2+ Magnetic Gap Depth/4

PRVA AUDIO USA (USA and Export)
POMPANO BEACH, FL
support@prvaudio.com
www.prvaudio.com