

6MB200-4 v2

Professional Mid Bass Driver



KEY FEATURES

- 1.5" Voice coil
- 200 Watts continuous program power
- 93.5 dB Sensitivity
- 125 - 6,500 Hz



GENERAL SPECIFICATIONS

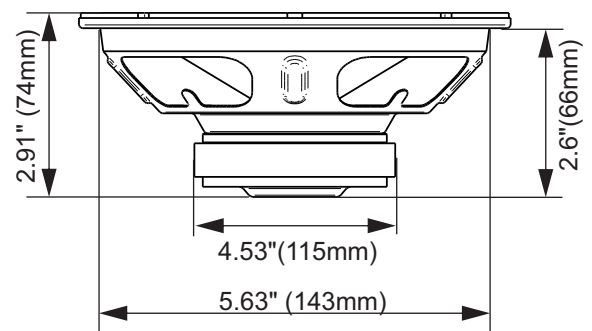
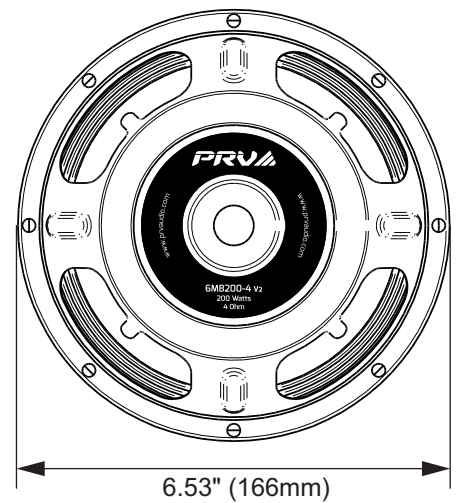
| | |
|---|---|
| Nominal Diameter | 6" (152 mm) |
| Nominal impedance | 4 Ohm |
| Nominal Power Handling | 100 Watts |
| Continuous Program Power (RMS) | 200 Watts |
| Max Peak Power | 400 Watts |
| Sensitivity 2.00V at 1m | 93.5 dB |
| Recommended Hi Pass Crossover* | 125 Hz* |
| <small>*For Full Power Handling</small> | <small>*12db Per Octave Crossover</small> |
| Frequency Response | 125 - 6,500 Hz |
| Voice Coil Diameter | 1.5" (38 mm) |
| Voice Coil Wire | Copper |
| Voice Coil Winding Depth | 12.5 mm |
| Former Material | Kapton |
| Magnetic Gap Depth | 5.8 mm |
| Frame Material | Stamped Steel |

THIELE-SMALL PARAMETERS

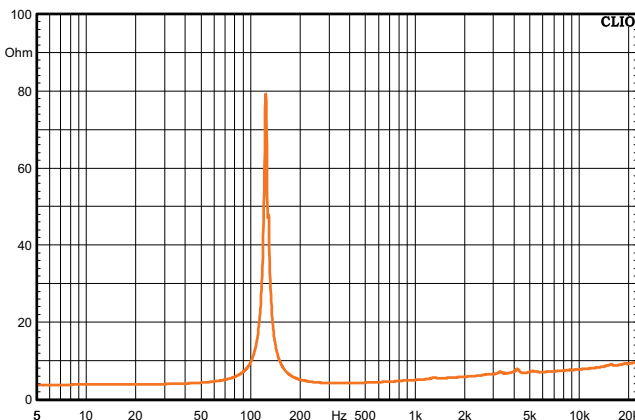
| | | |
|-----------------------------|------|---------------------|
| Equivalent Volume | Vas | 3.97 l |
| Excursion (mathematical)*** | Xmax | 4.80 mm |
| Free Air Resonance | Fs | 123.79 Hz |
| Mechanical Factor | Qms | 20.84 |
| Electrical Factor | Qes | 1.02 |
| Total Factor | Qts | 0.97 |
| Cone Area | Sd | 154 cm ² |
| Mechanical Mass | Mms | 11.89 g |
| Bl Factor | Bl | 5.79 Tm |
| Dc Resistance | Re | 3.7 Ohm |
| Inductance | Le | 0.18 mH at 1 kHz |
| Mechanical Mass Without Air | Mmd | 10.92 g |
| Mechanical Compliance | Cms | 0.139 mm/N |

EXTRA INFO

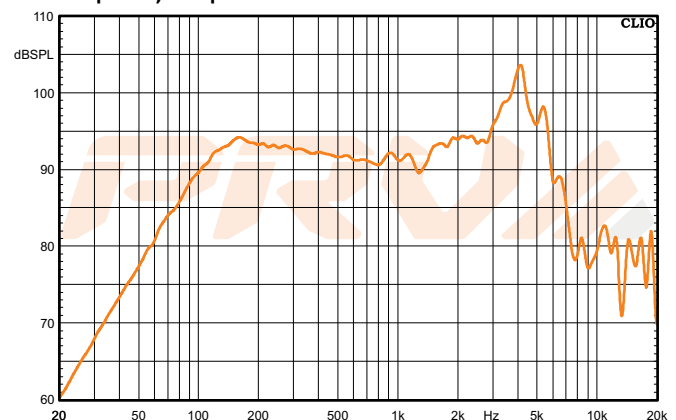
| | |
|-----------------------------|---|
| Overall Diameter | 6.53" (166 mm) |
| Front Mount Baffle Cutout | 5.63" (143 mm) |
| Mounting Depth | 2.6" (66 mm) |
| Overall Depth | 2.91" (74 mm) |
| Net Weight | 3.30 Lbs (1.50 kg) |
| Shipping Weight | 3.62 Lbs (1.64 kg) |
| Carton Dimensions W x L x H | 7.17" x 7.17" x 4.13" (182 x 182 x 105 mm) |



Impedance Curve - Free Air



Frequency Response Measured at 2.00V/1m



***Xmax=(Voice coil winding depth-Magnetic Gap depth)/2+ Magnetic Gap Depth/4

PRVA AUDIO USA (USA and Export)
POMPANO BEACH, FL
support@prvaudio.com
www.prvaudio.com