

WGP22-50X

Professional Audio Waveguide



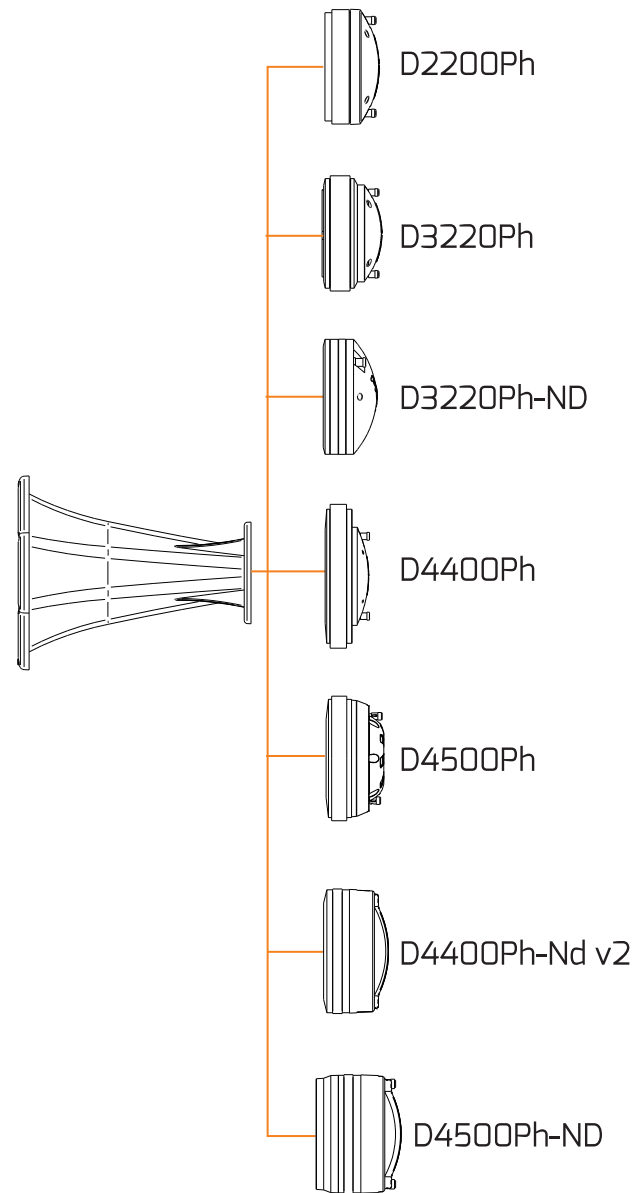
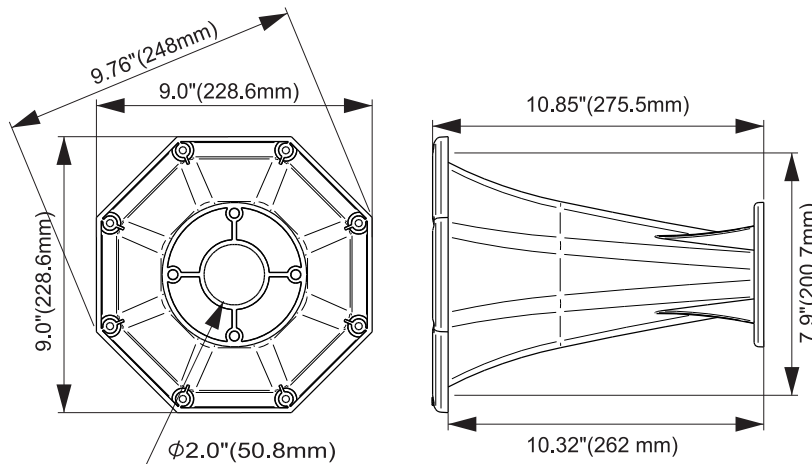
KEY FEATURES

- 2" Throat
- Bolt-on
- Light weight
- 30° x 30° Nominal Coverage



Throat Diameter	2" (50.8mm)
Mounting Type	Bolt On
Hole dimensions	∅ 0.31" ∅ 8 mm
Bolt circle	4" 102mm
Nominal Coverage	
Horizontal	30°
Vertical	30°
Flare type	Hybrid
Material	Plastic (ABS)
Finish / Coating	Black / White
Dimensions	
Height	9.00" (228.6mm)
Width	9.00" (228.6mm)
Depth	10.85" (275.5mm)
Mount Depth	10.32" (262 mm)
Baffle Cutout	
Diameter Circle	7.9" (200.7mm)
Net weight	
	1.23 lb (0.56 kg)

GENERAL SPECIFICATIONS



PRVA AUDIO USA (USA and Export)
POMPANO BEACH, FL
support@prvaudio.com
www.prvaudio.com