

# WGP14-25-S

Professional Audio Waveguide



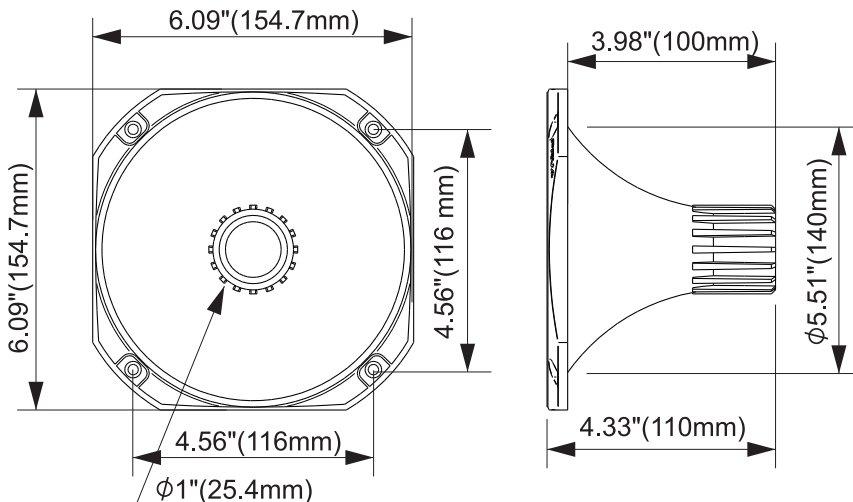
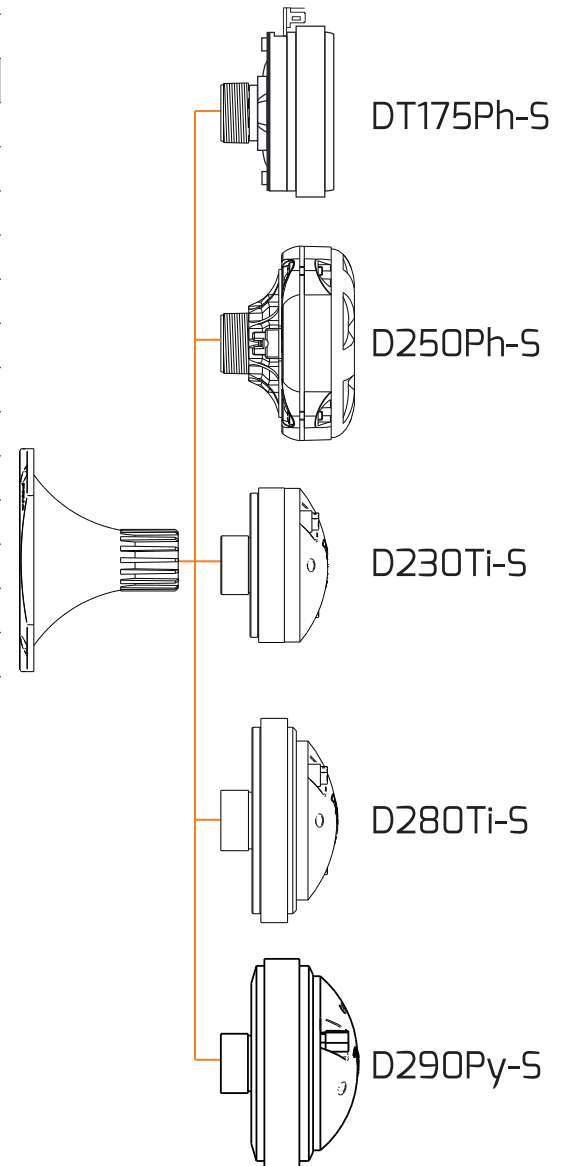
## KEY FEATURES

- 1.0" Throat
- Screw-on
- Finish / Coating: Black, White, Chrome, Gold, Blue CR and Red CR
- 45°x45° Nominal Coverage

Throat Diameter	1.0" (25.4mm)
Mounting Type	Screw-on
Thread dimensions	1-3/8"
<b>Nominal Coverage</b>	
Horizontal	45°
Vertical	45°
Flare type	Exponential
Material	Plastic (ABS)
Finish / Coating	Black; White; Chrome; Gold; Blue CR; Red CR
<b>Dimensions</b>	
Height	6.09" (154.7mm)
Width	6.09" (154.7mm)
Depth	4.33" (110mm)
Mount Depth	3.98" (100mm)
<b>Baffle Cutout</b>	
Diameter	5.51" (140mm)
Net weight	0.2 lb (0.09kg)



## GENERAL SPECIFICATIONS



PRV AUDIO USA (USA and Export) PRV AUDIO BRAZIL (Brazilian Sales Only)  
FORT LAUDERDALE, FL SAO LEOPOLDO, RS  
support@prvaudio.com vendas@pvaudio.com.br  
www.prvaudio.com www.pvaudio.com.br