

WG2500Ti

Professional Compression Driver

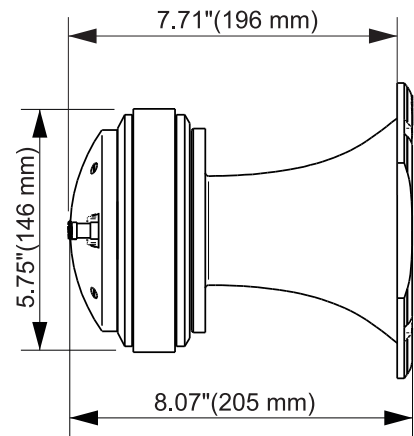
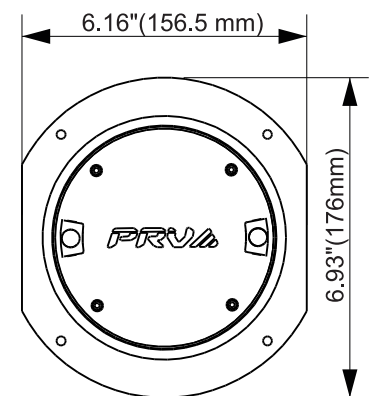


KEY FEATURES

- 2.5" Voice coil and 2" exit
- 100 Watts nominal power handling
- 107 dB Sensitivity
- WG14-50CR Aluminum wave guide



Exit Throat Diameter	2" (50 mm)
Nominal Impedance	8 Ohm
Nominal Power Handling	100 Watts
Continuous Program Power (RMS)	200 Watts
Peak Power	400 Watts
Sensitivity 2.83V at 1m*	107 dB
Recommended High Pass Crossover**	1700 Hz***
for Full Power Handling	*12 db/oct Crossover
Frequency Response at -10dB	1200-17,000Hz
Voice Coil Diameter	2.5"(65 mm)
Voice Coil Wire	CCAW
Voice Coil Former Material	Kapton®
Diaphragm Material	Titanium
Flux Density	21.1 T
Magnet Material	Ferrite

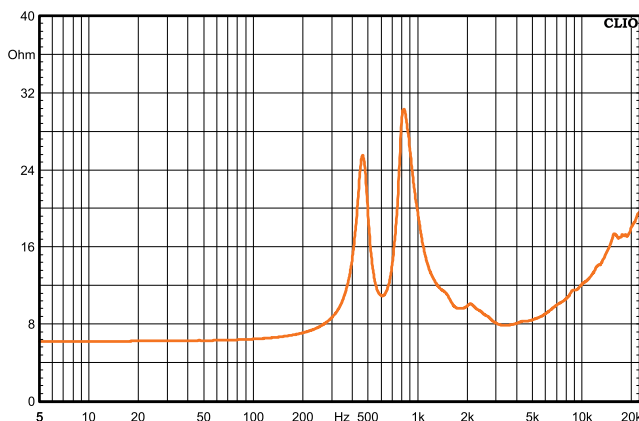


GENERAL SPECIFICATIONS

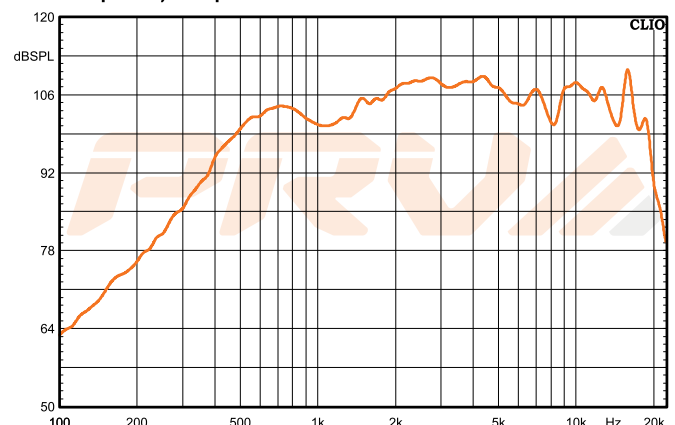
EXTRA INFO

Overall Depth	8.07" (205 mm)
Mounting Depth	7.71" (196 mm)
Overall Width	6.16" (156.5 mm)
Overall Height	6.93" (176 mm)
Baffle Cutout	5.75" (146 mm)
Net Weight	10.32 lbs (4.68 kg)
Shipping Weight	11.02 lbs (5.00 kg)
Carton Dimensions W x L x H	8.26" x 7.58" x 9.45"
	(210 x 190 x 240 mm)

Impedance Curve - Free Air



Frequency Response Measured at 2.83V/1m



PRV AUDIO USA (USA and Export) PRV AUDIO BRAZIL (Brazilian Sales Only)
 POMPANO BEACH, FL SAO LEOPOLDO, RS
 support@prvaudio.com vendas@pvaudio.com.br
 www.prvaudio.com www.pvaudio.com.br