

# WG230Ti

Professional Compression Driver



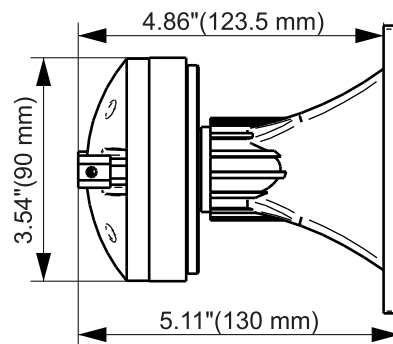
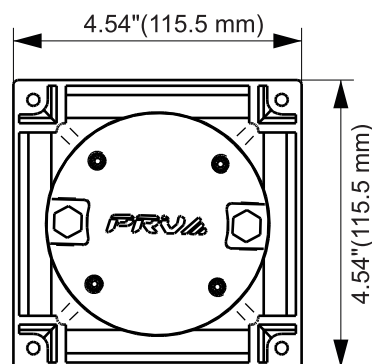
## KEY FEATURES

- 1.4" Voice coil
- 30 Watts continuous power handling
- 105 dB Sensitivity
- WG11-25 Wave Guide



## GENERAL SPECIFICATIONS

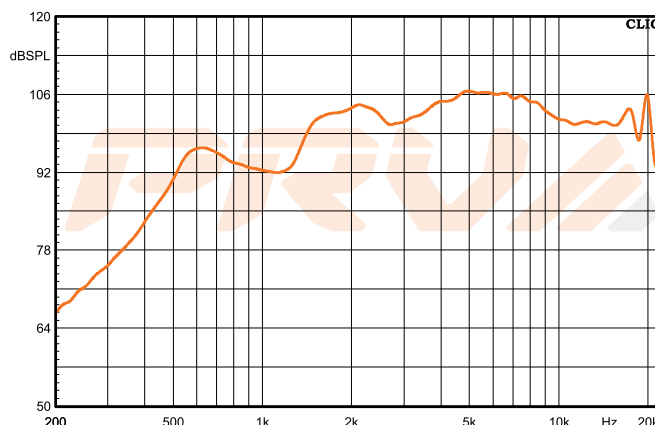
Exit Throat Diameter	1" (25.4 mm)
Nominal Impedance	8 Ohms
<b>Rated Power Handling</b>	<b>30 Watts</b>
Program Power	60 Watts
<b>Sensitivity 2.83V at 1m*</b>	<b>105 dB</b>
Recommended High Pass Crossover**	2000 Hz***
**for Full Power Handling	***12 db/oct Crossover
<b>Frequency Response at -10dB</b>	<b>1800-20,000Hz</b>
Voice Coil Diameter	1.4"(35.5 mm)
Voice Coil Wire	Copper
Voice Coil Former Material	Kapton®
Diaphragm Material	Titanium
Flux Density	1.65 T
Magnet Material	Ferrite



## EXTRA INFO

Overall Depth	5.11" (130 mm)
Mounting Depth	4.86" (123.5 mm)
Overall Width	4.54" (115.5 mm)
Overall Height	4.54" (115.5 mm)
Baffle Cutout	4.16" (102 mm)
Net Weight	2.20 lbs (1.00 kg)
Shipping Weight	2.41 lbs (1.10 kg)
Carton Dimensions W x L x H	4.64" x 4.64" x 5.31" (118 x 118 x 135 mm)

Frequency Response Measured at 2.83v/1m



PRV AUDIO USA (USA and Export) PRV AUDIO BRAZIL (Brazilian Sales Only)  
 FORT LAUDERDALE, FL SAO LEOPOLDO, RS  
 support@prvaudio.com vendas@pvaudio.com.br  
 www.prvaudio.com www.pvaudio.com.br