

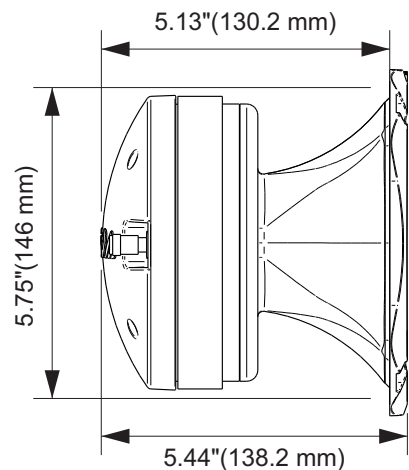
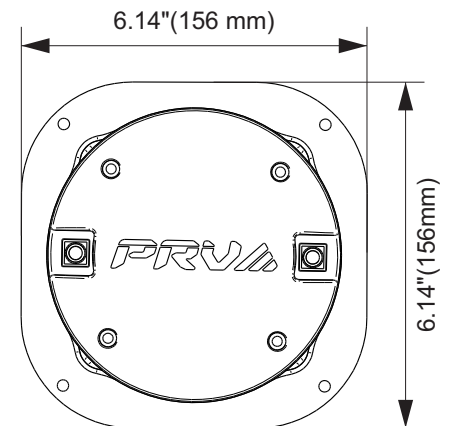
# WG2200Ph SLIM

Professional Compression Driver



## KEY FEATURES

- 2" Voice coil and 2" exit
- 200 Watts continuous program power
- 107 dB Sensitivity
- WGP14-50X SLIM waveguide



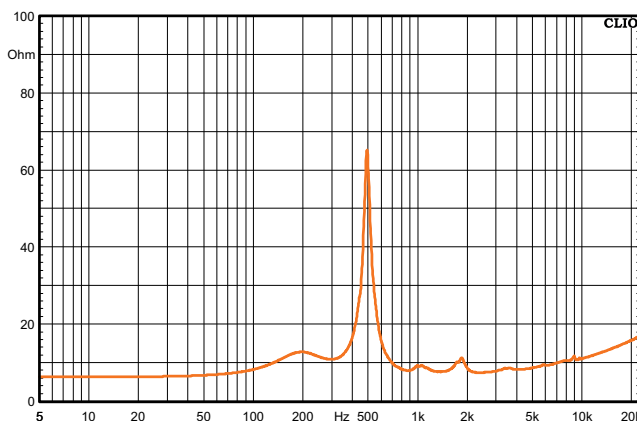
GENERAL SPECIFICATIONS

Exit Throat Diameter	2" (50 mm)
Nominal Impedance	8 Ohm
<b>Nominal Power Handling</b>	<b>100 Watts</b>
Continuous Program Power (RMS)	200 Watts
Peak Power	400 Watts
<b>Sensitivity 2.83V at 1m*</b>	<b>107 dB</b>
Recommended High Pass Crossover**	800 Hz***
**for Full Power Handling	***12 db/oct Crossover
<b>Frequency Response at -10dB</b>	<b>800 - 9,000Hz</b>
Voice Coil Diameter	2" (51 mm)
Voice Coil Wire	CCAW
Voice Coil Former Material	Kapton
Diaphragm Material	Phenolic
Flux Density	1.66 T
Magnet Material	Ferrite

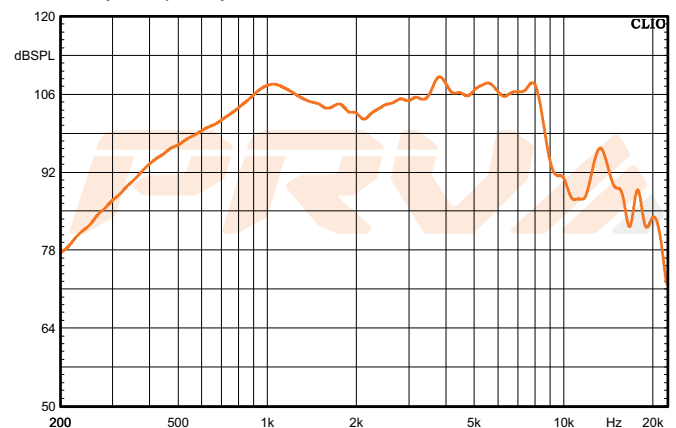
EXTRA INFO

Overall Depth	5.44" (138.2mm)
Mounting Depth	5.13" (130.2 mm)
Overall Width	6.14" (156 mm)
Overall Height	6.14" (156 mm)
Baffle Cutout	5.75" (146 mm)
Net Weight	6.90 lb (3.14 kg)
Shipping Weight	7.45 lb (3.38 kg)
Carton Dimensions W x L x H	7.08" x 6.81" x 6.69" (180 x 173 x 170 mm)

Impedance Curve - Free Air



Frequency Response Measured at 2.83V/1m



PRVA AUDIO USA (USA and Export)  
POMPANO BEACH, FL  
support@prvaudio.com  
www.prvaudio.com