

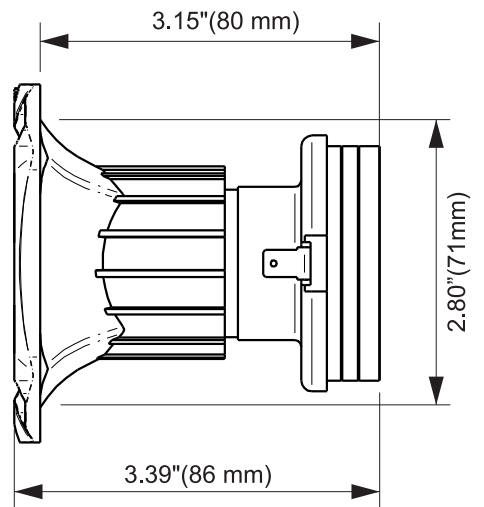
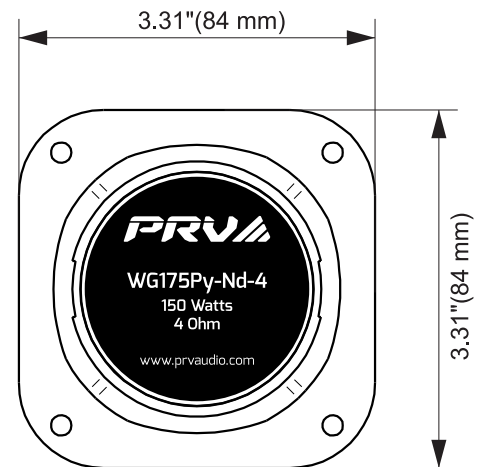
WG175Py-Nd-4

Professional Compression Driver



KEY FEATURES

- 1" Voice coil and 1" exit
- 75 Watts nominal power handling
- 107 dB Sensitivity
- Polyimide Diaphragm
- 1,600 - 20,000Hz



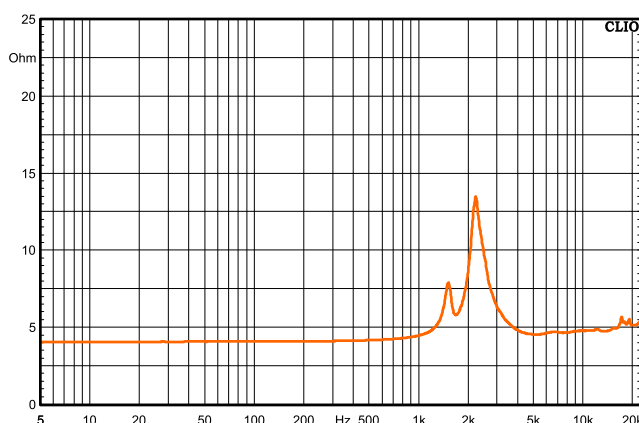
GENERAL SPECIFICATIONS

Exit Throat Diameter	1" (25.4 mm)
Nominal Impedance	4 Ohm
Nominal Power Handling	75 Watts
Continuous Program Power (RMS)	150 Watts
Peak Power	300 Watts
Sensitivity 2.00V at 1m*	107 dB
Recommended High Pass Crossover**	1800 Hz***
for Full Power Handling	*12 db/oct Crossover
Frequency Response at -10dB	1,600 - 20,000Hz
Voice Coil Diameter	1" (25.4 mm)
Voice Coil Wire	CCAW
Voice Coil Former Material	Kapton®
Diaphragm Material	Polyimide
Flux Density	2.25 T
Magnet Material	Neodymium

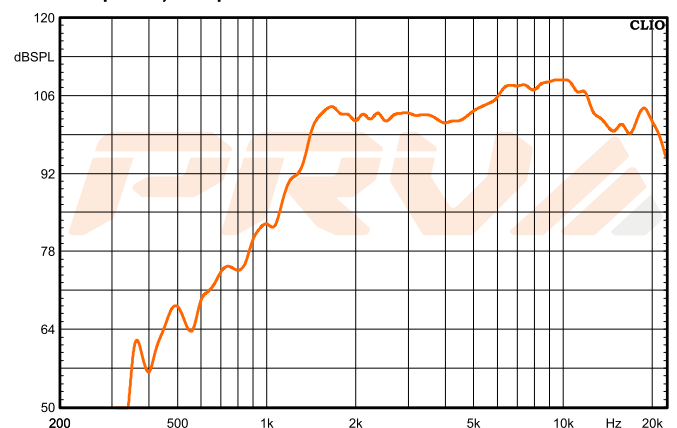
EXTRA INFO

Overall Depth	3.39" (86 mm)
Mounting Depth	3.15" (80 mm)
Overall Width	3.31" (84 mm)
Overall Height	3.31" (84 mm)
Baffle Cutout Diameter	2.80" (71 mm)
Net Weight	1.9lbs (0.86 kg)
Shipping Weight	2.0lbs (0.92 kg)
Carton Dimensions W x L x H	3.75" x 3.75" x 3.75" (95 x 95 x 95 mm)

Impedance Curve - Free Air



Frequency Response Measured at 2.00V/1m



PRV AUDIO USA (USA and Export)
POMPANO BEACH, FL
support@prvaudio.com
www.prvaudio.com