

# WG14-50CR

Professional Audio Waveguide



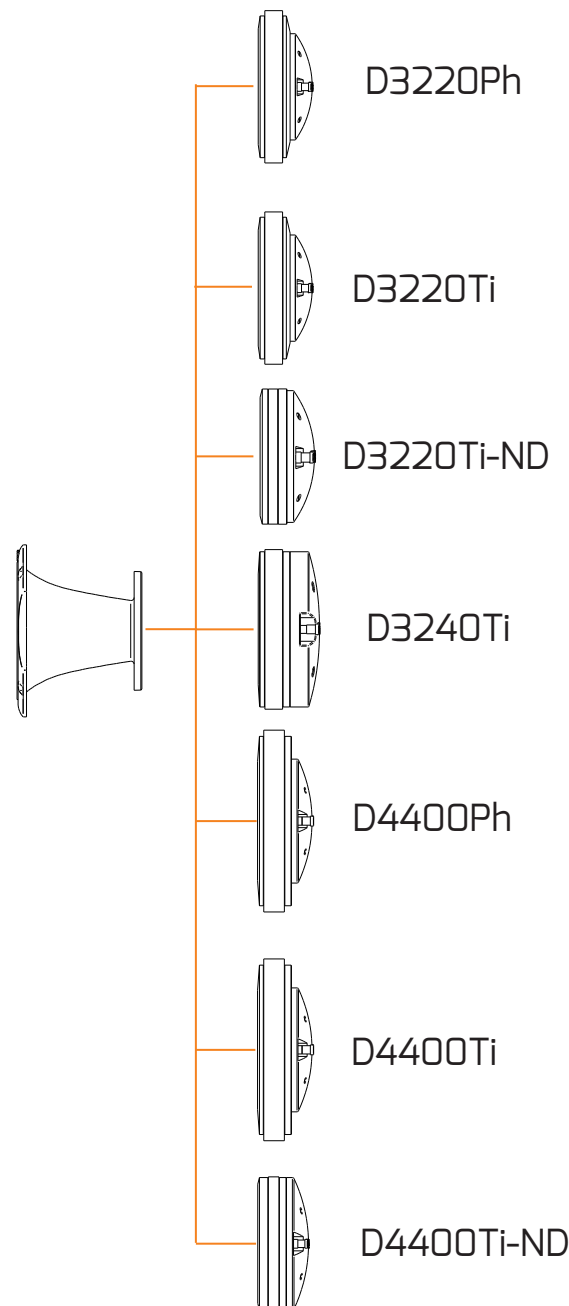
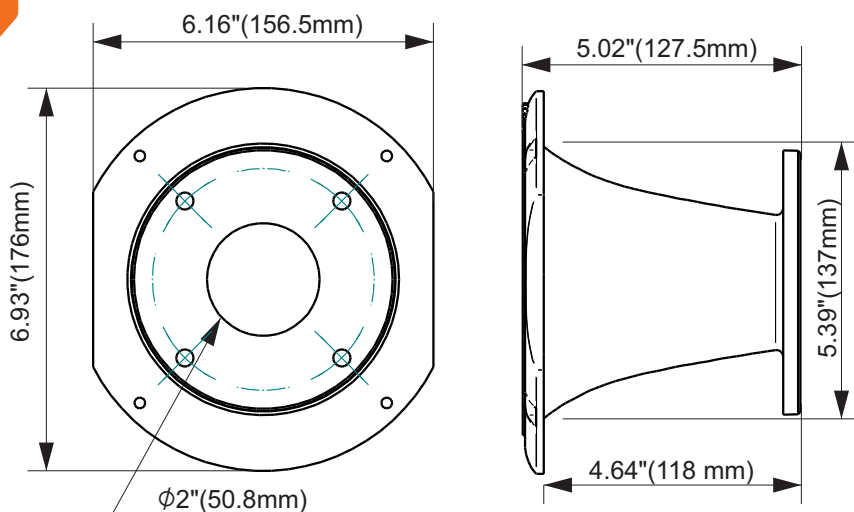
## KEY FEATURES

- 2" Throat
- Bolt-on
- Die Cast Aluminum
- 45°x 45° Nominal Coverage



Throat Diameter	2" (50.8mm)
Mounting Type	Bolt On
Hole dimensions	$\phi$ 0.24" $\phi$ 8 mm
Bolt circle	4" 102mm
<b>Nominal Coverage</b>	
Horizontal	45°
Vertical	45°
Flare type	Exponential
Material	Aluminum
Finish / Coating	Black
<b>Dimensions</b>	
Height	6.93" (176mm)
Width	6.16" (156.5mm)
Depth	5.02" (127.5mm)
Mount Depth	4.64" (118mm)
<b>Baffle Cutout</b>	
Diameter Circle	5.39" (137mm)
Net weight	1.5lb (0.67 kg)

## GENERAL SPECIFICATIONS



PRV AUDIO USA (USA and Export) PRV AUDIO BRAZIL (Brazilian Sales Only)  
FORT LAUDERDALE, FL SAO LEOPOLDO, RS  
support@prvaudio.com vendas@pvaudio.com.br  
www.prvaudio.com www.pvaudio.com.br