

WG08-25

Professional Audio Waveguide



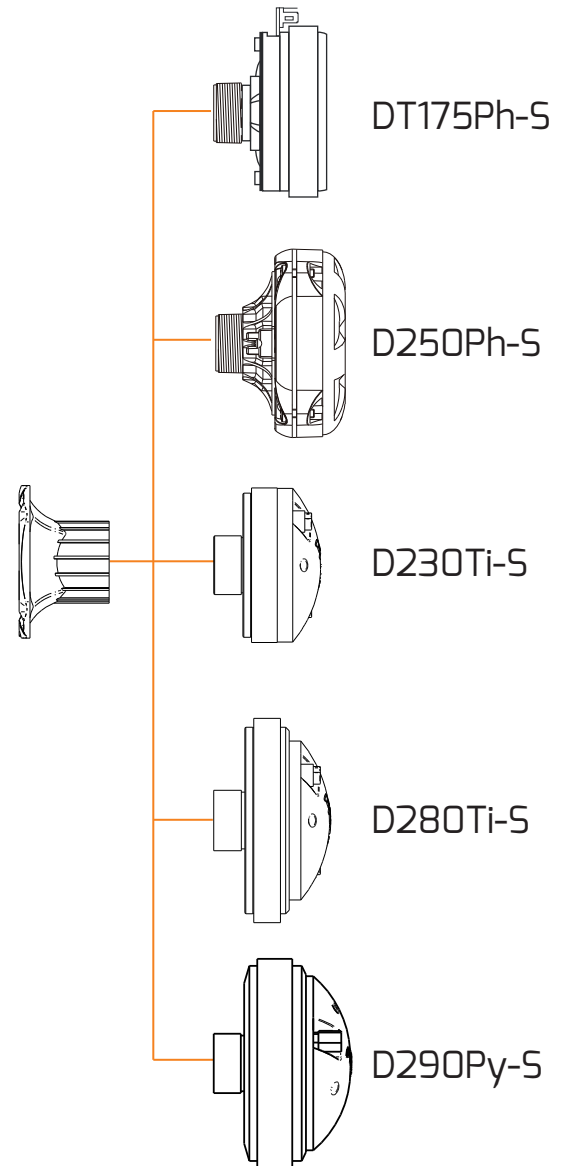
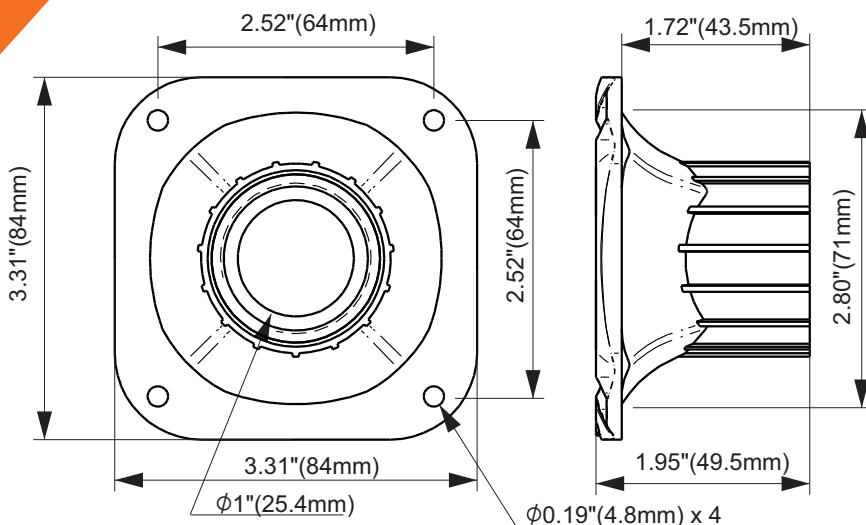
KEY FEATURES

- 1" Throat Diameter
- Screw-on
- Compact Size
- Aluminum thread
- 90° x 90° Nominal Coverage



Throat Diameter	1" (25.4mm)
Mounting Type	Screw-on
Thread dimensions	1-3/8"
Nominal Coverage	
Horizontal	90°
Vertical	90°
Flare type	Exponential
Material	Plastic (ABS)
Finish / Coating	Black
Dimensions	
Height	3.31" (84mm)
Width	3.31" (84mm)
Depth	1.95" (49.5mm)
Mount Depth	1.72" (43.5mm)
Baffle Cutout	
Diameter	2.80" (71mm)
Net weight	0.13lb (0.06kg)

GENERAL SPECIFICATIONS



PRV AUDIO USA (USA and Export) PRV AUDIO BRAZIL (Brazilian Sales Only)
POMPANO BEACH, FL SAO LEOPOLDO, RS
support@prvaudio.com vendas@pvaudio.com.br
www.prvaudio.com www.pvaudio.com.br