

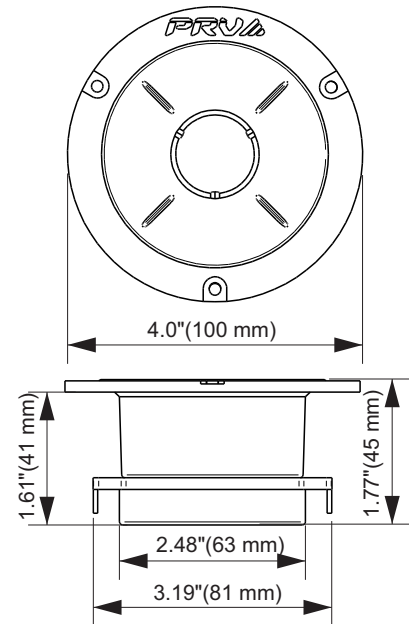
# TW500My-Nd

Professional Super Tweeter



## KEY FEATURES

- 1.25" Voice coil
- 150 Watts continuous power handling
- 108 dB Sensitivity
- Neodymium Magnet
- Mylar Diaphragm



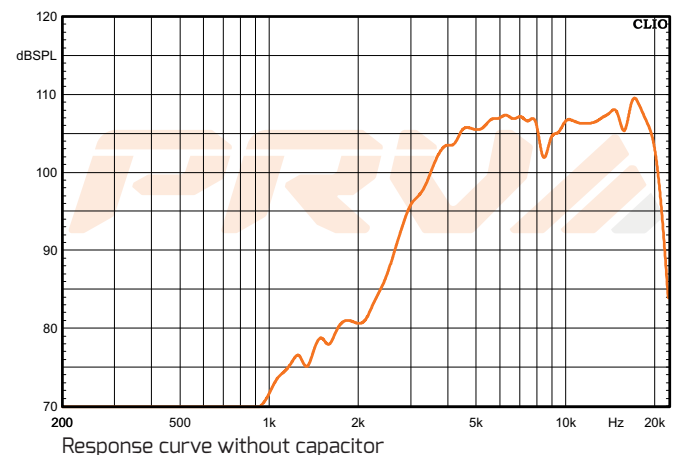
## GENERAL SPECIFICATIONS

Nominal Impedance	8 Ohms
<b>Rated Power Handling</b>	<b>75 Watts</b>
Program Power	150 Watts
<b>Sensitivity 2.83V at 1m*</b>	<b>108 dB</b>
Recommended High Pass Crossover**	4000 Hz***
**for Full Power Handling	***12db/oct Crossover
<b>Frequency Response at -10dB</b>	<b>3,500-19,000Hz</b>
Voice Coil Diameter	1.25" (32 mm)
Voice Coil Wire	Aluminum
Voice Coil Former Material	Kapton®
Diaphragm Material	Mylar
Flux Density	1.30 T
Magnet Material	Neodymium

## EXTRA INFO

Overall depth	1.77" (45 mm)
Mounting Depth	1.61" (41 mm)
Overall Diameter	4.0" (100 mm)
Cutout Diameter	3.19" (81 mm)
Net Weight	1.25 lbs (0.56 kg)
Shipping Weight	1.33 lbs (0.60 kg)
Carton Dimensions W x L x H	4.1" x 4.1" x 2.1" (105 x 105 x 55 mm)

Frequency Response Measured at 2.83v/1m



PRV AUDIO USA (USA and Export) PRV AUDIO BRAZIL (Brazilian Sales Only)  
FORT LAUDERDALE, FL SAO LEOPOLDO, RS  
support@prvaudio.com vendas@pvaudio.com.br  
www.prvaudio.com www.pvaudio.com.br