

# TW450Ti-Nd-4

Professional Super Tweeter



## KEY FEATURES

- 1.0" Voice coil
- 60 Watts continuous power handling
- 107 dB Sensitivity
- Neodymium Magnet
- Titanium Diaphragm
- 2 mounting options(3 rings supplied)

Nominal Impedance	4 Ohms
<b>Rated Power Handling</b>	<b>60 Watts</b>
Program Power	120 Watts
<b>Sensitivity 2.00V at 1m*</b>	<b>107 dB</b>
Recommended High Pass Crossover**	6000 Hz***
**for Full Power Handling	***12db/oct Crossover
<b>Frequency Response at -10dB</b>	<b>4,500-20,000Hz</b>
Voice Coil Diameter	1.0"(25.4 mm)
Voice Coil Wire	Aluminum
Voice Coil Former Material	Kapton®
Diaphragm Material	Titanium
Flux Density	1.45 T
Magnet Material	Neodymium

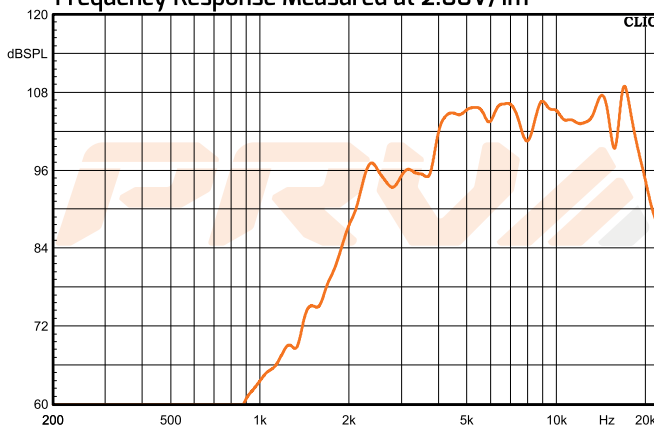
Mounting option 1:



Mounting option 2:



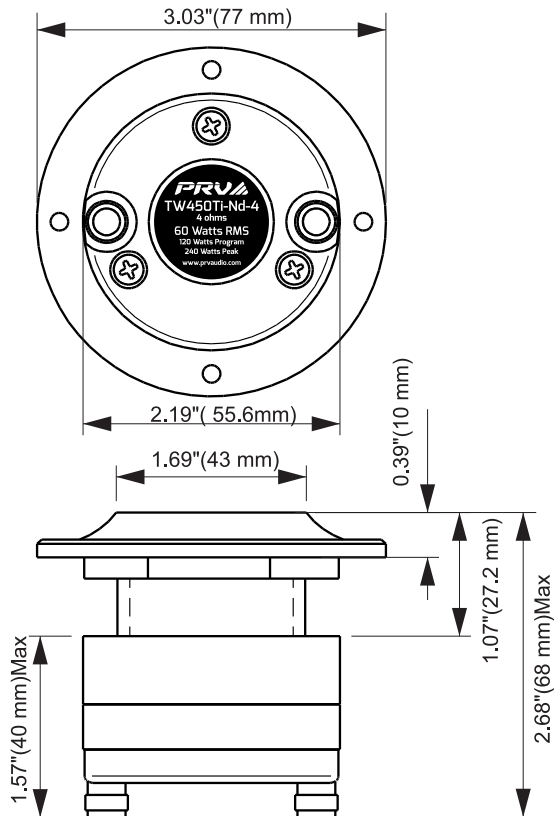
Frequency Response Measured at 2.00V/1m



GENERAL SPECIFICATIONS

Overall depth	2.68" (68 mm)Max
Mounting Depth	1.57" (40 mm)Max
Overall Diameter	3.03" (77 mm)
Cutout Diameter	1.69" (43 mm)
Net Weight	1.25 lbs (0.57 kg)
Shipping Weight	1.37 lbs (0.62 kg)
Carton Dimensions W x L x H	3.35" x 3.35" x 3.57" (85 x 85 x 91 mm)

### Mounting option 1: Bolting it on the baffle



### Mounting option 2: Screw on through the baffle

