

TW400Ti-ND-4 SLIM

Professional Super Tweeter



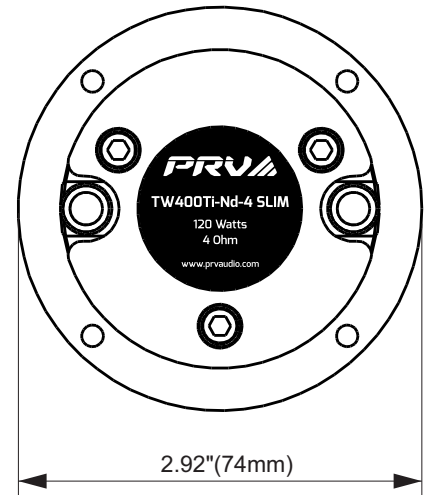
KEY FEATURES

- 1.0" Voice coil
- 60 Watts Nominal Power Handling
- 105 dB Sensitivity
- Titanium Diaphragm



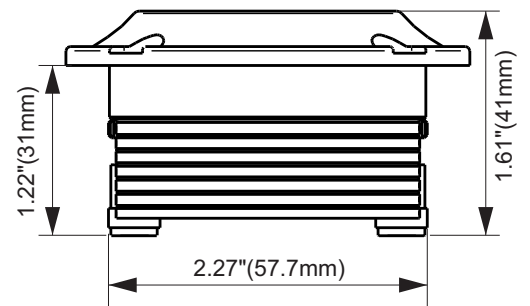
GENERAL SPECIFICATIONS

Nominal Impedance	4 Ohms
Nominal Power Handling	60 Watts
Continuos Program Power (RMS)	120Watts
Max Peak Power	240 Watts
Sensitivity 2.00V at 1m*	105 dB
Recommended High Pass Crossover**	6000 Hz***
for Full Power Handling	*12db/oct Crossover
Frequency Response at -10dB	4,500-20,000Hz
Voice Coil Diameter	1.0" (25 mm)
Voice Coil Wire	CCAW
Voice Coil Former Material	Kapton®
Diaphragm Material	Titanium
Flux Density	1.45 T
Magnet Material	Neodymium

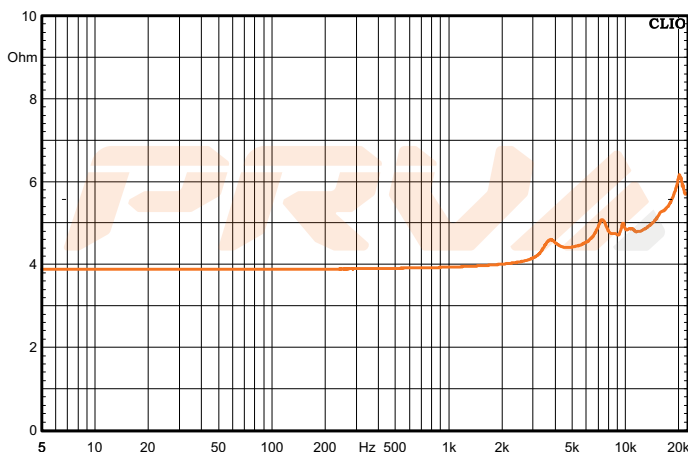


EXTRA INFO

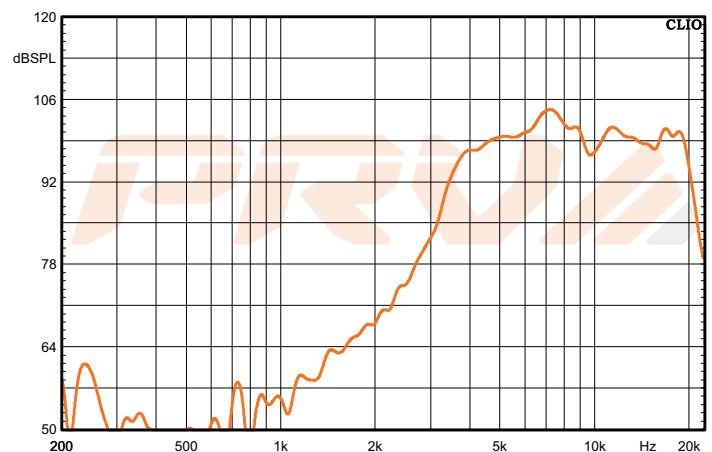
Overall depth	1.61" (41 mm)
Mounting Depth	1.22" (31 mm)
Overall Diameter	2.92" (74 mm)
Cutout Diameter	2.27" (57.7 mm)
Net Weight	0.66 lbs (0.30 kg)
Shipping Weight (pair)	1.54 lbs (0.70 kg)
Carton Dimensions W x L x H	6.77" x 3.15" x 1.99" (172 x 80 x 50 mm)



Impedance Curve Free Air



Frequency Response Measured at 2.00V/1m



PRV AUDIO USA (USA and Export) PRV AUDIO BRAZIL (Brazilian Sales Only)
 POMPANO BEACH, FL SAO LEOPOLDO, RS
 support@prvaudio.com vendas@pvaudio.com.br
 www.prvaudio.com www.pvaudio.com.br