

TW350Ti-4 SLIM

Professional Super Tweeter



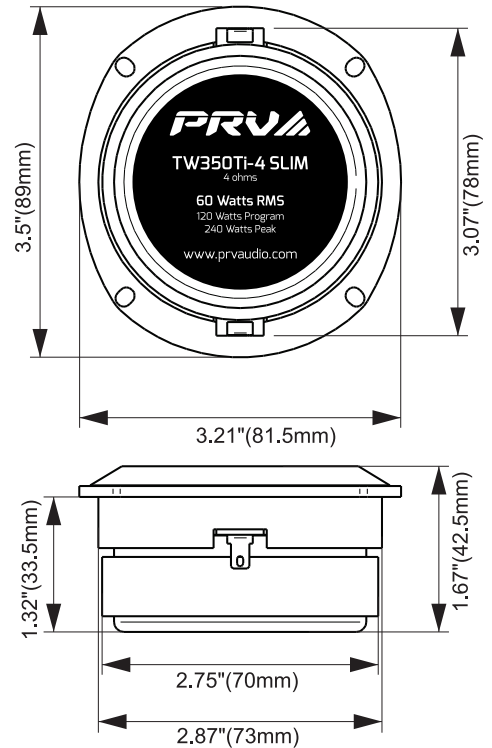
KEY FEATURES

- 1.0" Voice coil
- 60 Watts continuous power handling
- 104 dB Sensitivity
- Titanium Diaphragm



GENERAL SPECIFICATIONS

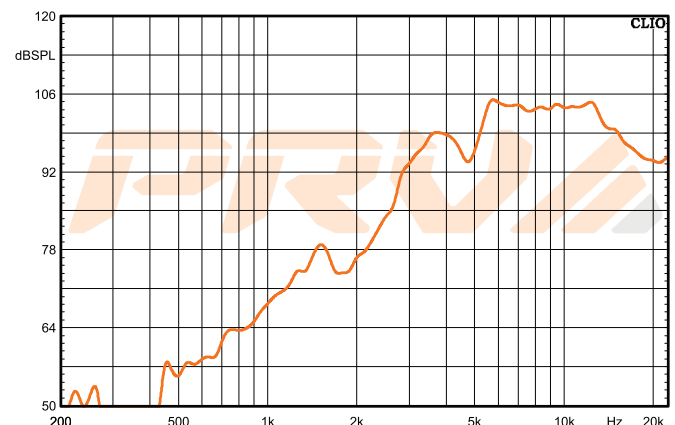
Nominal Impedance	4 Ohms
Rated Power Handling	60 Watts
Program Power	120 Watts
Sensitivity 2.00V at 1m*	104 dB
Recommended High Pass Crossover**	5000 Hz***
for Full Power Handling	*12db/oct Crossover
Frequency Response at -10dB	4,500-20,000Hz
Voice Coil Diameter	1.0" (25 mm)
Voice Coil Wire	CCAW
Voice Coil Former Material	Kapton®
Diaphragm Material	Titanium
Flux Density	1.45 T
Magnet Material	Ferrite



EXTRA INFO

Overall Depth	1.67" (42.5 mm)
Mounting Depth	1.32" (33.5 mm)
Overall Diameter	3.5" (89 mm)
Cutout Diameter	2.87" (73 mm)+Terminals
Net Weight	1.14 lbs (0.51 kg)
Shipping Weight (pair)	2.64 lbs (1.20 kg)
Carton Dimensions W x L x H	8.27" x 3.78" x 1.97" (210 x 96 x 50 mm)

Frequency Response Measured at 2.00V/1m



PRV AUDIO USA (USA and Export) PRV AUDIO BRAZIL (Brazilian Sales Only)
 POMPANO BEACH, FL SAO LEOPOLDO, RS
 support@prvaudio.com vendas@pvaudio.com.br
 www.prvaudio.com www.pvaudio.com.br