

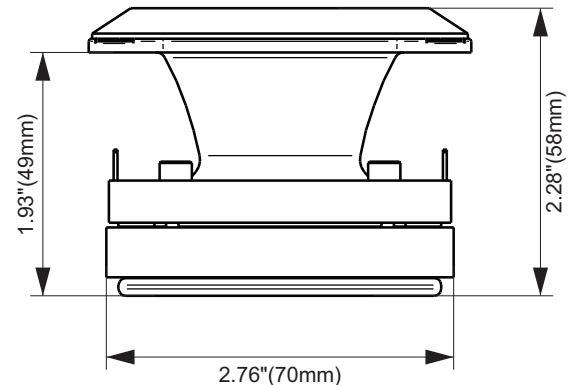
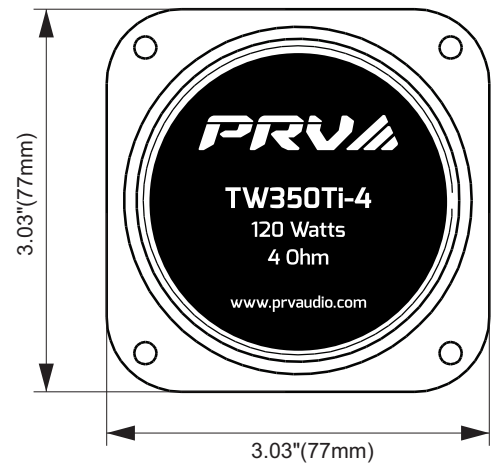
TW350Ti-4

Professional Super Tweeter



KEY FEATURES

- 1.0" Voice coil
- 120 Watts Continuous Program Power
- 105 dB Sensitivity
- Titanium Diaphragm



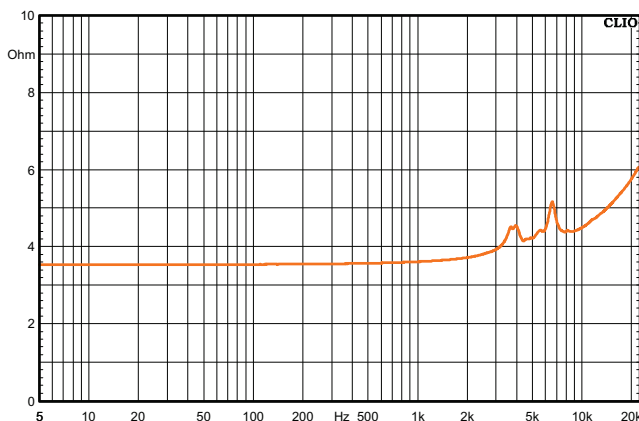
GENERAL SPECIFICATIONS

Nominal Impedance	4 Ohm
Nominal Power Handling	60 Watts
Continuous Program Power(RMS)	120 Watts
Max Peak Power	240 Watts
Sensitivity 2.00V at 1m*	105 dB
Recommended High Pass Crossover**	5000 Hz***
for Full Power Handling	*12db/oct Crossover
Frequency Response at -10dB	4,500-20,000Hz
Voice Coil Diameter	1.0" (25 mm)
Voice Coil Wire	CCAW
Voice Coil Former Material	Kapton®
Diaphragm Material	Titanium
Flux Density	1.30 T
Magnet Material	Ferrite

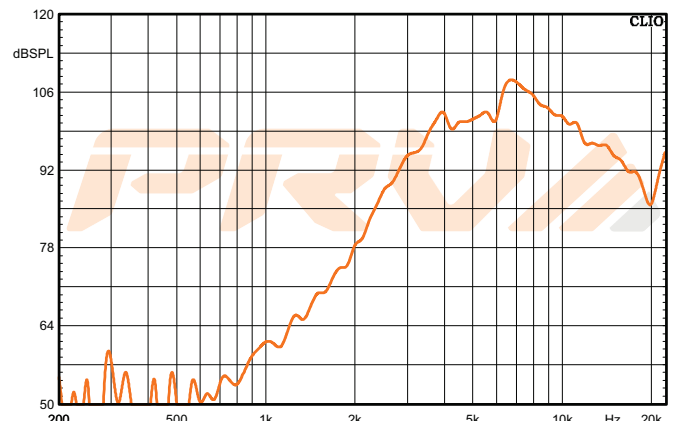
EXTRA INFO

Overall Depth	2.28" (58 mm)
Mounting Depth	1.93" (49 mm)
Overall Width	3.03" (77 mm)
Overall Height	3.03" (77 mm)
Cutout Diameter	2.76" (70 mm)
Net Weight	1.0 lbs (0.45 kg)
Shipping Weight (pair)	2.55 lbs (1.1 kg)
Carton Dimensions W x L x H	7.00" x 3.75" x 3.00" (178 x 95 x 76 mm)

Impedance Curve - Free Air



Frequency Response Measured at 2.00V/1m



PRV AUDIO USA (USA and Export)
FORT LAUDERDALE, FL
support@prvaudio.com
www.prvaudio.com