

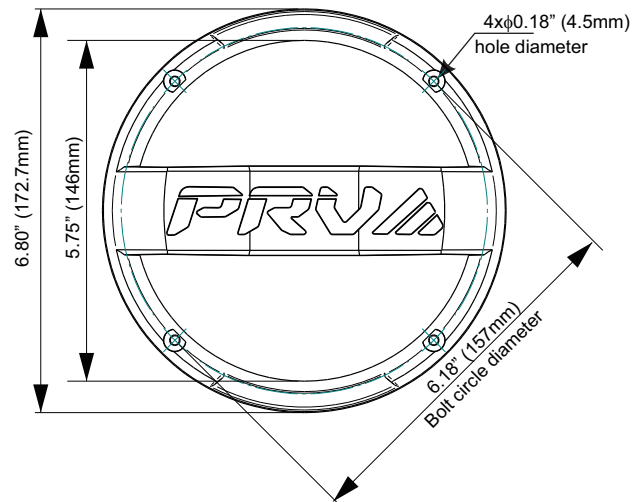
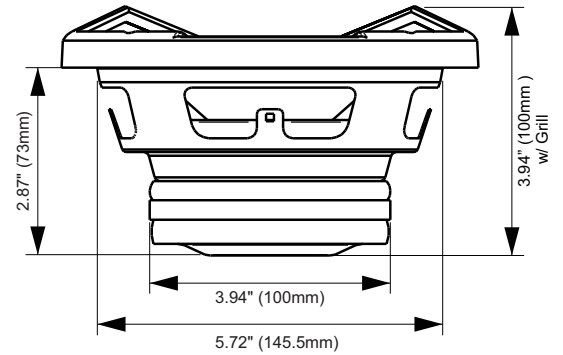
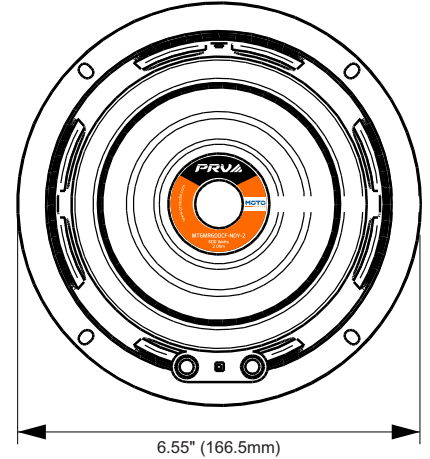
MT6MR600CF-NDY-2

Professional Mid Range Driver



KEY FEATURES

- 600 Watts Continuous Program Power
- 96 dB Sensitivity
- Water resistant Carbon fiber cone
- Lightweight neodymium magnet



GENERAL SPECIFICATIONS

THIELE-SMALL PARAMETERS

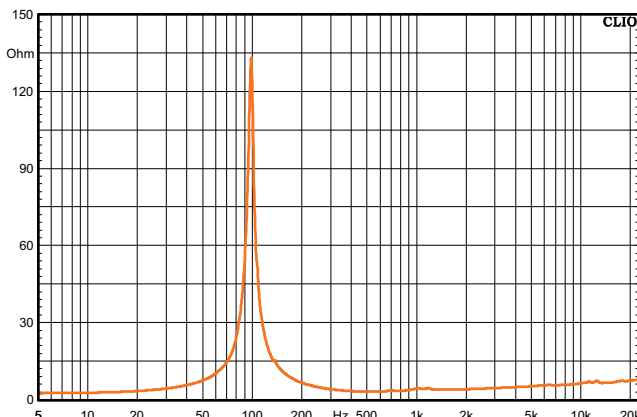
EXTRA INFO

| | |
|---|---|
| Nominal Diameter | 6.5" (165 mm) |
| Nominal impedance | 2 Ohm |
| Nominal Power Handling | 300 Watt |
| Continuous Program Power (RMS) | 600 Watts |
| Max Peak Power | 1200 Watts |
| Sensitivity 1.41V at 1m | 96 dB |
| Recommended Hi Pass Crossover* | 95 Hz* |
| <small>*For Full Power Handling</small> | <small>*12db Per Octave Crossover</small> |
| Frequency Response | 90 - 12,000 Hz |
| Voice Coil Diameter | 2" (49.5 mm) |
| Voice Coil Wire | CCAW |
| Voice Coil Winding Depth | 10.0 mm |
| Former Material | Kapton |
| Magnetic Gap Depth | 7.0 mm |
| Frame Material | Stamped Steel |

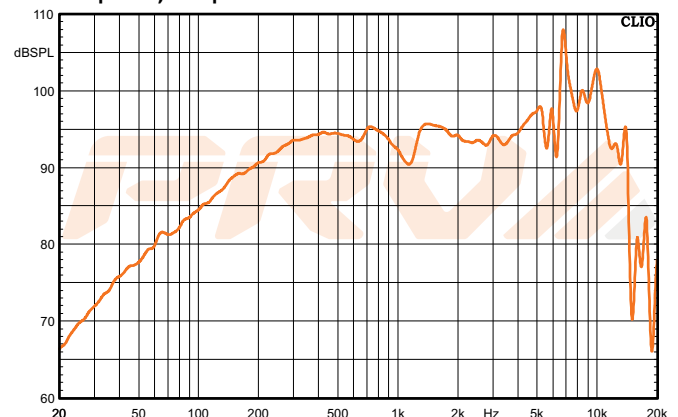
| | | |
|-----------------------------|------|---------------------|
| Equivalent Volume | Vas | 4.38 l |
| Excursion | Xmax | 3.25 mm |
| Free Air Resonance | Fs | 98.8 Hz |
| Mechanical Factor | Qms | 13.87 |
| Electrical Factor | Qes | 0.24 |
| Total Factor | Qts | 0.24 |
| Cone Area | Sd | 143 cm ² |
| Mechanical Mass | Mms | 16.94 g |
| Bl Factor | Bl | 9.95 Tm |
| Dc Resistance | Re | 2.3 Ohm |
| Inductance | Le | 0.100mH at 1 kHz |
| Mechanical Mass Without Air | Mmd | 15.98 g |
| Mechanical Compliance | Cms | 0.153 mm/N |

| | |
|-----------------------------|---|
| Overall Diameter | 6.55" (166.5 mm) |
| Front Mount Baffle Cutout | 5.72" (145.5 mm) |
| Mounting Depth | 2.87" (73 mm) |
| Overall Depth (with Grill) | 3.94" (100 mm) |
| Net Weight | 4.0 Lbs (1.8 kg) |
| Shipping Weight | 4.41 Lbs (2.0 kg) |
| Carton Dimensions W x L x H | 8.54" x 8.11" x 5.35" (217 x 206 x 136 mm) |

Impedance Curve - Free Air



Frequency Response Measured at 1.41V/1m



**Xmax=(Voice coil winding depth-Magnetic Gap depth)/2+ Magnetic Gap Depth/4
 *** T-S parameters measured after 2 hours at 1/2 Rated power, pink noise preconditioning test

PRVA AUDIO USA (USA and Export)
 POMPANO BEACH, FL
 support@prvaudio.com
 www.prvaudio.com