

# MT6MR400CF-NDY-4 SLIM

## Professional Mid Range Driver



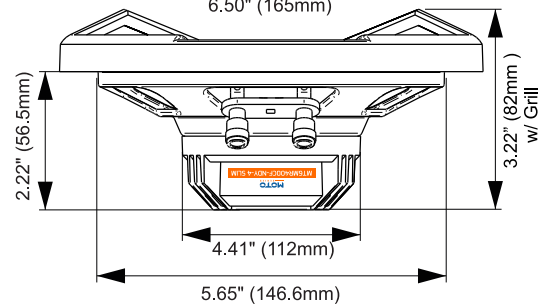
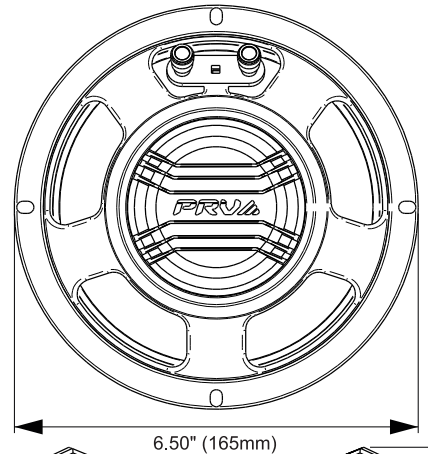
### KEY FEATURES

- 200 Watts nominal power handling
- 95 dB Sensitivity
- Water resistant Carbon fiber cone
- Lightweight neodymium magnet



### GENERAL SPECIFICATIONS

Nominal Diameter	6" (152 mm)
Nominal impedance	4 Ohm
<b>Nominal Power Handling</b>	<b>200 Watt</b>
Continuous Program Power (RMS)	400 Watts
Max Peak Power	800 Watts
<b>Sensitivity 2.00V at 1m</b>	<b>95 dB</b>
Recommended Hi Pass Crossover*	120 Hz*
<small>*For Full Power Handling</small>	<small>*12db Per Octave Crossover</small>
<b>Frequency Response</b>	<b>120 - 12,000 Hz</b>
Voice Coil Diameter	1.5" (38 mm)
Voice Coil Wire	CCAW
Voice Coil Winding Depth	10.0 mm
Former Material	Kapton
Magnetic Gap Depth	5.0 mm
Frame Material	Stamped Steel

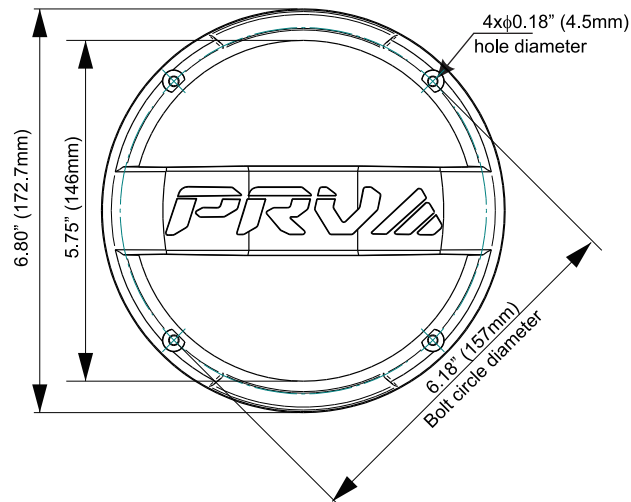


### THIELE-SMALL PARAMETERS

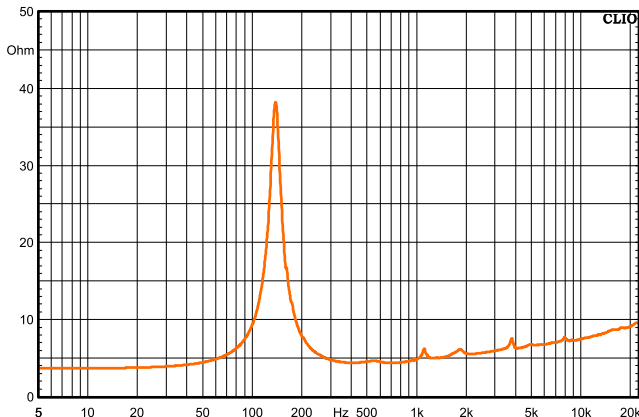
Equivalent Volume	Vas	3.38 l
Excursion	Xmax	3.75 mm
Free Air Resonance	Fs	138.9 Hz
Mechanical Factor	Qms	6.76
Electrical Factor	Qes	0.68
Total Factor	Qts	0.62
Cone Area	Sd	139 cm <sup>2</sup>
Mechanical Mass	Mms	10.47 g
Bl Factor	Bl	6.85 Tm
Dc Resistance	Re	3.5 Ohm
Inductance	Le	0.168mH at 1 kHz
Mechanical Mass Without Air	Mmd	9.55 g
Mechanical Compliance	Cms	0.125 mm/N

### EXTRA INFO

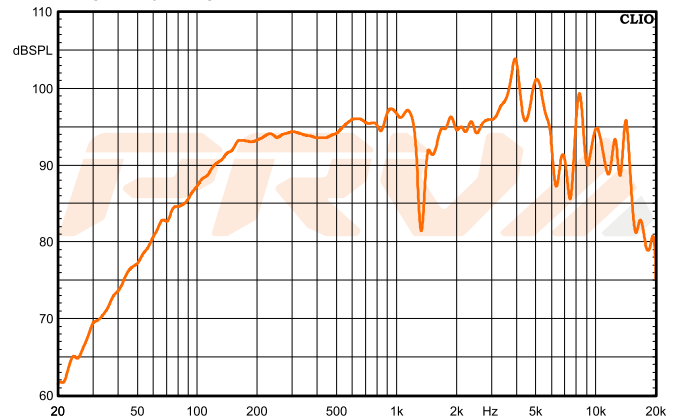
Overall Diameter	6.50" (165 mm)
Front Mount Baffle Cutout	5.65" (146.6 mm)
Mounting Depth	2.22" (56.5 mm)
Overall Depth (with grill)	3.22 (82 mm)
Net Weight	1.63 Lbs (0.73 kg)
Shipping Weight	1.98 Lbs (0.9 kg)
Carton Dimensions W x L x H	8.54" x 8.11" x 4.25" (217 x 206 x 108 mm)



Impedance Curve - Free Air



Frequency Response Measured at 2.00V/1m



\*\*Xmax=(Voice coil winding depth-Magnetic Gap depth)/2+ Magnetic Gap Depth/4

PRV AUDIO USA (USA and Export)  
POMPAÑO BEACH, FL  
support@prvaudio.com  
www.prvaudio.com