

MT.7TWB-4

Professional Super Tweeter

MOTO
SERIES

PRV
AUDIO
BRAZIL

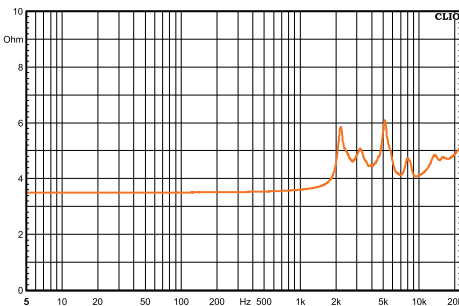
KEY FEATURES

- 1.4" Voice Coil
- 70 Watts Nominal Power Handling

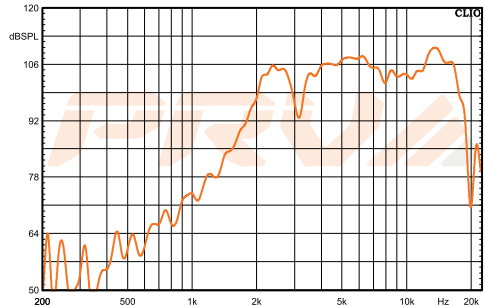
GENERAL SPECIFICATIONS

Nominal Impedance	4 Ohm
Nominal Power Handling	70 Watts
Continuous Program Power (RMS)	140 Watts
Max Peak Power	280 Watts
Sensitivity 2.00V at 1m	107 dB
Recommended Hi Pass Crossover	5000 Hz
For Full Power Handling	12db Per Octave Crossover
Frequency Response at -10dB	4,000 - 20,000 Hz
Voice Coil Diameter	1.4"
Voice Coil Wire	CCAW
Voice Coil Former Material	Kapton®
Diaphragm Material	Titanium
Magnet Material	Neodymium

Impedance Curve - Free Air



Frequency Response Measured at 2.00V/1m



MT2.7TWB-4

Professional Super Tweeter



KEY FEATURES

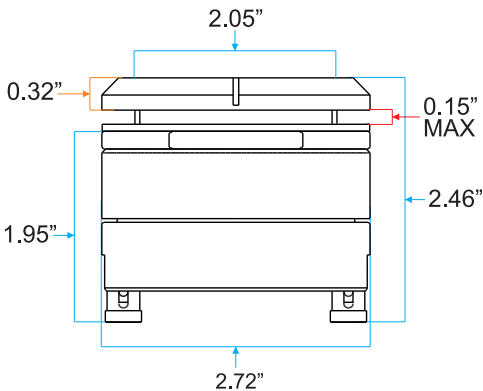
- 107 dB Sensitivity
- Titanium Diaphragm



EXTRA INFO

Overall Height	2.46"
Mounting Depth	1.75" / 1.95"
Overall Diameter	2.72"
Cutout Diameter	2.05"
Net Weight	1.59 Lbs
Shipping Weight	1.72 Lbs
Carton Dimensions W x L x H	4.33" x 3.85" x 3.11"

Mounting option 1:
Thin baffle - 0.15" Max



Mounting option 2:
Thick baffle - 0.35" Max

