

# D4500Ph-Nd

Professional Compression Driver



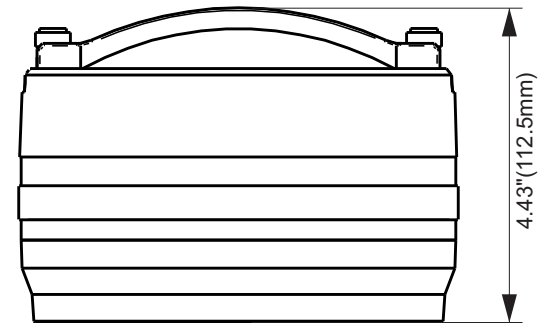
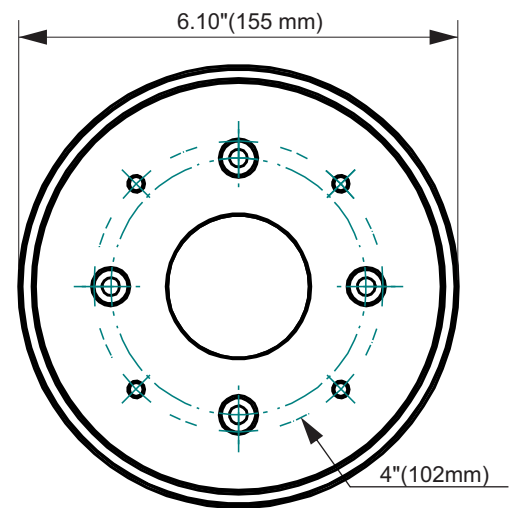
## KEY FEATURES

- 4" Voice coil and 2" exit
- 500 Watts continuous program power
- 110 dB Sensitivity
- Phenolic diaphragm

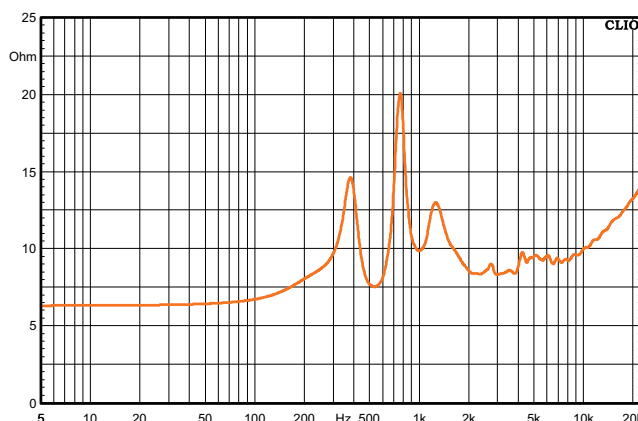


Exit Throat Diameter	2" (50 mm)
Nominal Impedance	8 Ohm
<b>Nominal Power Handling</b>	<b>250 Watts</b>
Continuous Program Power (RMS)	500 Watts
Peak Power	1000 Watts
<b>Sensitivity 2.83V at 1m*</b>	<b>110 dB</b>
Recommended High Pass Crossover**	600 Hz***
<small>**for Full Power Handling</small>	<small>***12 db/oct Crossover</small>
<b>Frequency Response at -10dB</b>	<b>450 - 7,000Hz</b>
Voice Coil Diameter	4" (101.6 mm)
Voice Coil Wire	CCAW
Voice Coil Former Material	Kapton®
Diaphragm Material	Phenolic
Flux Density	1.95 T
Magnet Material	Neodymium

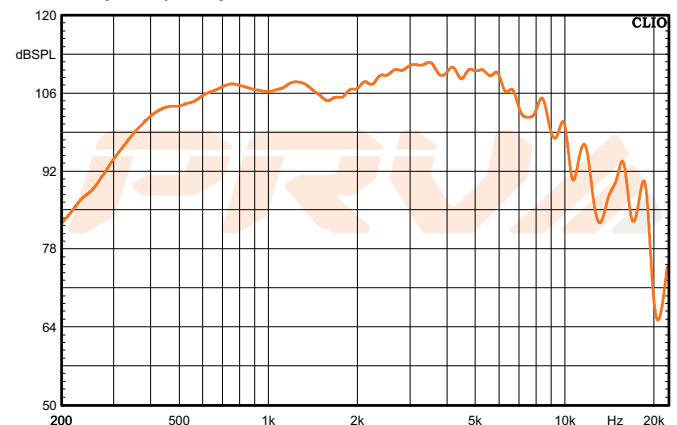
Overall Diameter	6.10" (155 mm)
Overall Depth	4.43" (112.5 mm)
Mounting Bolt Circle	M6 x 4 4" (102 mm)
Net Weight	9.59 lbs (4.35 kg)
Shipping Weight	9.92 lbs (4.50 kg)
Carton Dimensions W x L x H	6.5" x 6.5" x 5.71" (165 x 165 x 145 mm)



Impedance Curve - Free Air



Frequency Response Measured at 2.83V/1m



PRV AUDIO USA (USA and Export)  
POMPANO BEACH, FL  
support@prvaudio.com  
www.prvaudio.com

GENERAL SPECIFICATIONS

EXTRA INFO