

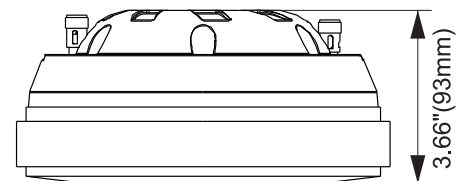
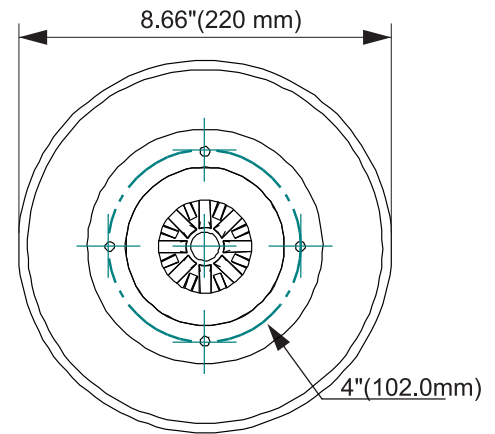
D4500Ph

Professional Compression Driver



KEY FEATURES

- 4" Voice coil and 2" exit
- 250 Watts continuous power handling
- 108 dB Sensitivity
- Phenolic Diaphragm
- 450 - 6,000Hz



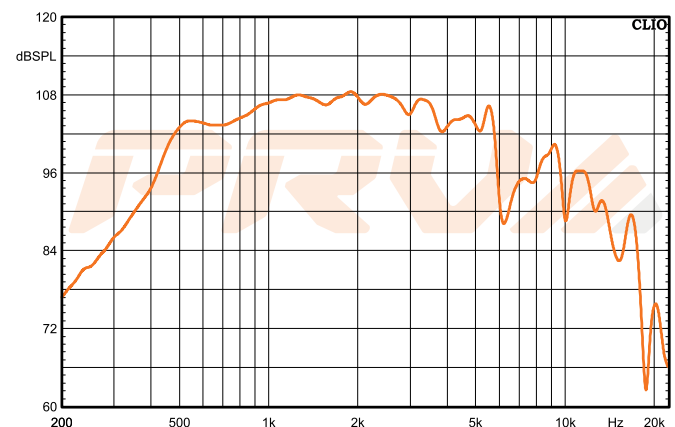
GENERAL SPECIFICATIONS

Exit Throat Diameter	2" (50 mm)
Nominal Impedance	8 Ohms
Rated Power Handling	250 Watts
Program Power	500 Watts
Sensitivity 2.83V at 1m*	108 dB
Recommended High Pass Crossover**	600 Hz***
for Full Power Handling	*12 db/oct Crossover
Frequency Response at -10dB	450-6,000Hz
Voice Coil Diameter	4" (101 mm)
Voice Coil Wire	CCAW
Voice Coil Former Material	Kapton®
Diaphragm Material	Phenolic resin
Flux Density	1.6 T
Magnet Material	Ferrite

EXTRA INFO

Overall Diameter	8.66" (220 mm)
Overall Depth	3.66" (93 mm)
Mounting Bolt Circle	M6 x 4 - 4" (102 mm)
Net Weight	18.1 lbs (8.2 kg)
Shipping Weight	18.7 lbs (8.5 kg)
Carton Dimensions W x L x H	5.71" x 5.71" x 3.93" (230 x 230 x 135 mm)

Frequency Response Measured at 2.83v/1m



*Frequency Response Measured on WG14-50CR

PRV AUDIO USA (USA and Export) PRV AUDIO BRAZIL (Brazilian Sales Only)
POMPANO BEACH, FL SAO LEOPOLDO, RS
support@prvaudio.com vendas@pvaudio.com.br
www.prvaudio.com www.pvaudio.com.br