

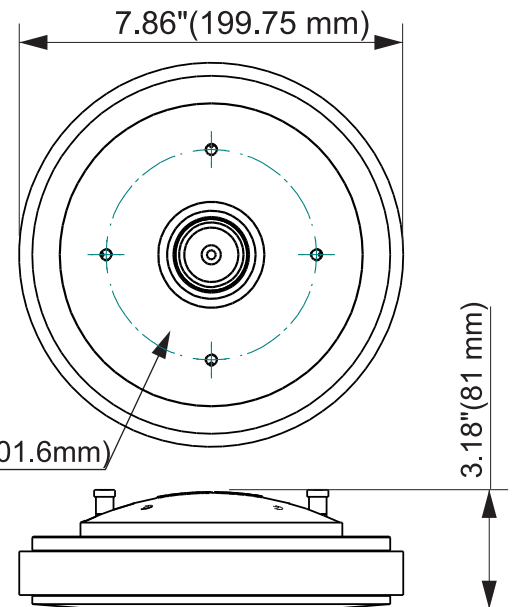
# D4400Ph

Professional Compression Driver



## KEY FEATURES

- 4" Voice coil and 2" exit
- 200 Watts continuous power handling
- 109 dB Sensitivity
- Phenolic Diaphragm



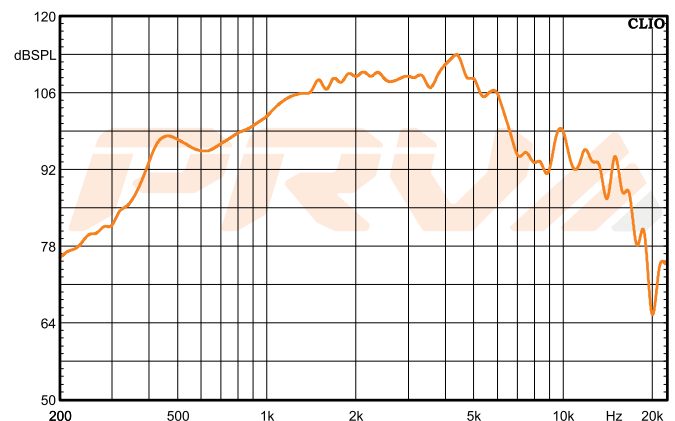
GENERAL SPECIFICATIONS

Exit Throat Diameter	<b>2"</b> (50 mm)
Nominal Impedance	8 Ohms
<b>Rated Power Handling</b>	<b>200 Watts</b>
Program Power	400 Watts
<b>Sensitivity 2.83 V at 1m*</b>	<b>109 dB</b>
Recommended High Pass Crossover**	700 Hz***
**for Full Power Handling	***12 db/oct Crossover
<b>Frequency Response at -10dB</b>	<b>600-7,000Hz</b>
Voice Coil Diameter	<b>4"</b> (101.6 mm)
Voice Coil Wire	CCAW
Voice Coil Former Material	Kapton®
Diaphragm Material	Phenolic Resin
Flux Density	1.85 T
Magnet Material	Ferrite

EXTRA INFO

Overall Diameter	<b>7.86" (199.75 mm)</b>
Overall Depth	<b>3.18" (81 mm)</b>
Mounting Bolt Circle	M6x4 <b>4"</b> (101.6 mm)
Net Weight	<b>19.20 lbs (8.70 kg)</b>
Shipping Weight	<b>21.16 lbs (9.60 kg)</b>
Carton Dimensions W x L x H	<b>8.66" x 8.66" x 4.60"</b> (220 x 220 x 117 mm)

Frequency Response Measured at 2.83V/1m



\*Frequency Response Measured on WG14-50CR

PRV AUDIO USA (USA and Export) PRV AUDIO BRAZIL (Brazilian Sales Only)  
 FORT LAUDERDALE, FL SAO LEOPOLDO, RS  
 support@prvaudio.com vendas@pvaudio.com.br  
 www.prvaudio.com www.pvaudio.com.br