

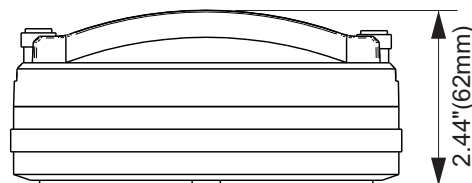
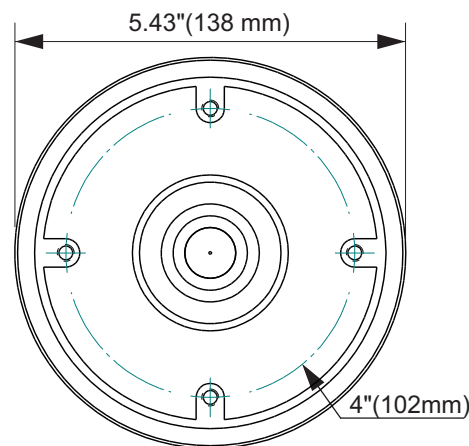
# D3500TiH-Nd

Professional Compression Driver

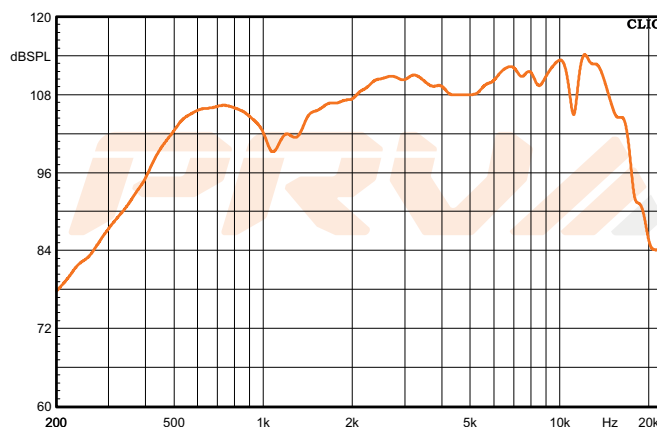


## KEY FEATURES

- 3.5" Voice coil and 2" exit
- 150 Watts continuous power handling
- 110 dB Sensitivity
- Hibryd Diaphragm
- Light Weight Neodymium Magnet



Frequency Response Measured at 2.83v/1m



\*Frequency Response Measured on WG14-50CR

PRV AUDIO USA (USA and Export)  
POMPANO BEACH, FL  
support@prvaudio.com  
www.prvaudio.com

## GENERAL SPECIFICATIONS

Exit Throat Diameter	2" (50 mm)
Nominal Impedance	8 Ohms
<b>Rated Power Handling</b>	<b>150 Watts</b>
Program Power	300 Watts
<b>Sensitivity 2.83V at 1m*</b>	<b>110 dB</b>
Recommended High Pass Crossover**	900 Hz***
**for Full Power Handling	***12 db/oct Crossover
<b>Frequency Response at -10dB</b>	<b>800 - 18,000Hz</b>
Voice Coil Diameter	3.5" (89 mm)
Voice Coil Wire	CCAW
Voice Coil Former Material	Kapton®
Diaphragm Material	Ti+Py
Flux Density	1.80 T
Magnet Material	Neodimium

## EXTRA INFO

Overall Diameter	5.43" (138 mm)
Overall Depth	2.44" (62 mm)
Mounting Bolt Circle	M6 x 4" (102 mm)
Net Weight	5.95 lbs (2.70 kg)
Shipping Weight	6.17 lbs (2.80 kg)
Carton Dimensions W x L x H	5.82" x 5.82" x 3.94" (148 x 148 x 100 mm)