

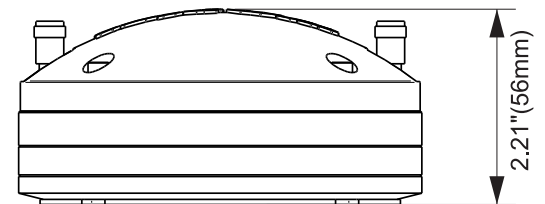
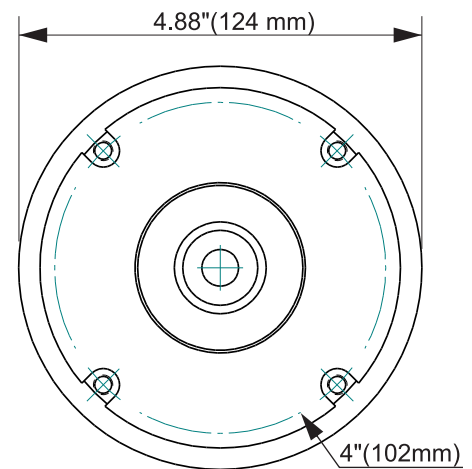
D3220TiH-Nd

Professional Compression Driver



KEY FEATURES

- 3" Voice coil and 2" exit
- 110 Watts nominal power handling
- 109 dB Sensitivity
- Hybrid diaphragm - Titanium + Mylar



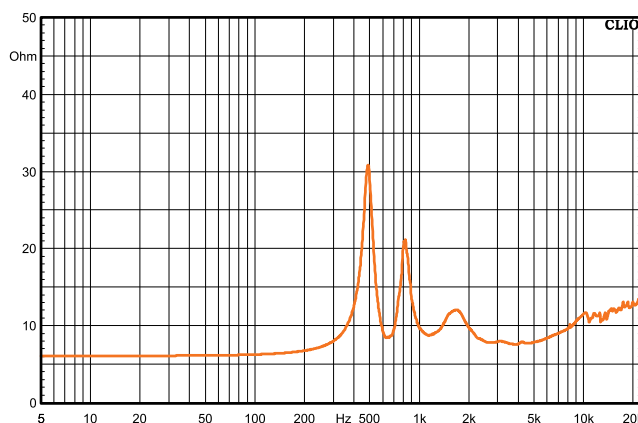
GENERAL SPECIFICATIONS

Exit Throat Diameter	2" (50 mm)
Nominal Impedance	8 Ohm
Nominal Power Handling	110 Watts
Continuous Program Power (RMS)	220 Watts
Peak Power	440 Watts
Sensitivity 2.83V at 1m*	109 dB
Recommended High Pass Crossover**	900 Hz***
for Full Power Handling	*12 db/oct Crossover
Frequency Response at -10dB	800-19,000Hz
Voice Coil Diameter	3" (76 mm)
Voice Coil Wire	CCAW
Voice Coil Former Material	Kapton®
Diaphragm Material	Hybrid
Flux Density	2.33 T
Magnet Material	Neodymium

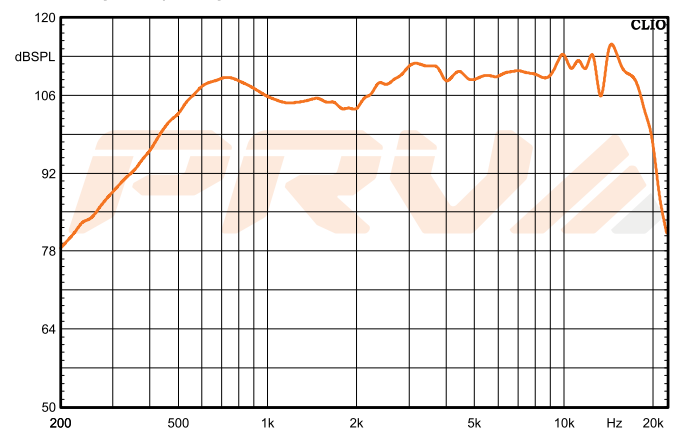
EXTRA INFO

Overall Diameter	4.88" (124 mm)
Overall Depth	2.21" (56 mm)
Mounting Bolt Circle	M6 x 4" (102 mm)
Net Weight	5.00 lbs (2.27 kg)
Shipping Weight	5.27 lbs (2.39 kg)
Carton Dimensions W x L x H	5.90" x 5.31" x 3.15" (150 x 135 x 80 mm)

Impedance Curve - Free Air



Frequency Response Measured at 2.83V/1m



PRV AUDIO USA (USA and Export)
POMPANO BEACH, FL
support@prvaudio.com
www.prvaudio.com