

# D3220Ph

## Professional Compression Driver

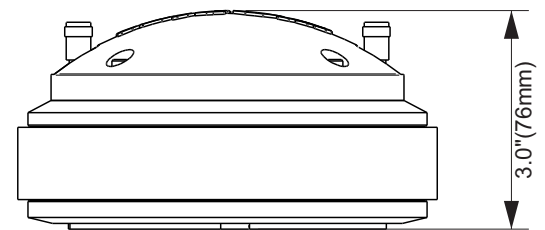
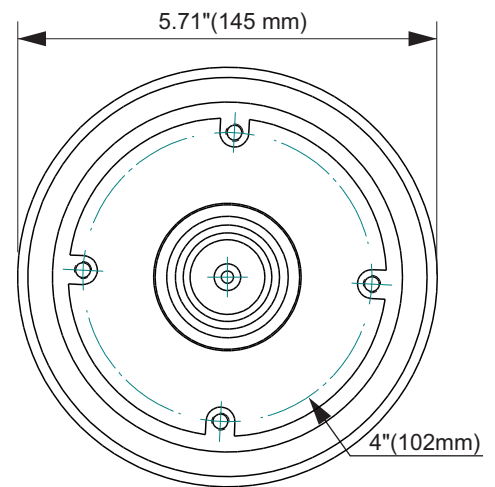


### KEY FEATURES

- 3" Voice coil and 2" exit
- 300 Watts continuous program power
- 108 dB Sensitivity
- Phenolic diaphragm



Exit Throat Diameter	2" (50 mm)
Nominal Impedance	8 Ohm
<b>Nominal Power Handling</b>	<b>150 Watts</b>
Continuous Program Power (RMS)	300 Watts
Peak Power	600 Watts
<b>Sensitivity 2.83V at 1m*</b>	<b>108 dB</b>
Recommended High Pass Crossover**	800 Hz***
**for Full Power Handling	***12 db/oct Crossover
<b>Frequency Response at -10dB</b>	<b>650 - 7,500Hz</b>
Voice Coil Diameter	3" (76 mm)
Voice Coil Wire	CCAW
Voice Coil Former Material	Kapton®
Diaphragm Material	Phenolic
Flux Density	1.77 T
Magnet Material	Ferrite

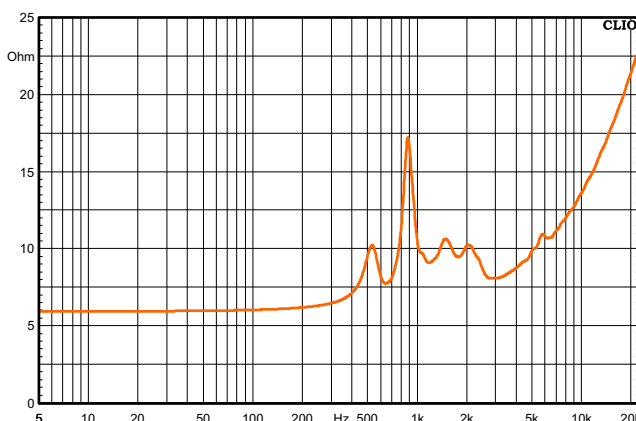


GENERAL SPECIFICATIONS

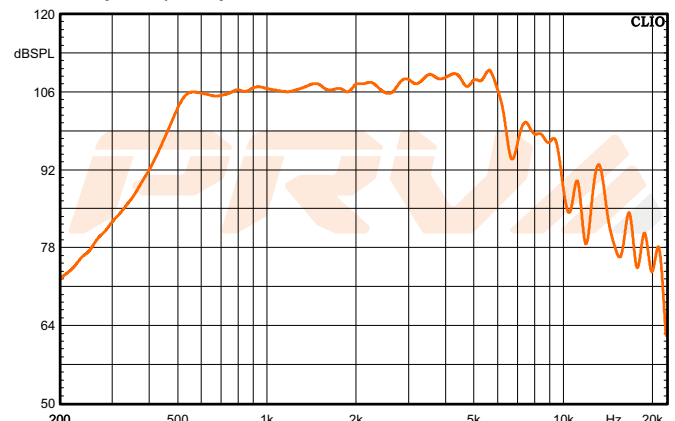
EXTRA INFO

Overall Diameter	5.71" (145 mm)
Overall Depth	3.0" (76 mm)
Mounting Bolt Circle	M6 x 4" (102 mm)
Net Weight	8.9 lbs (4.0 kg)
Shipping Weight	9.35 lbs (4.25 kg)
Carton Dimensions W x L x H	6.89" x 6.3" x 4.0" (175 x 160 x 102 mm)

Impedance Curve - Free Air



Frequency Response Measured at 2.83V/1m



\*Frequency Response and Impedance curve Measured on WG14-50CR

PRVA AUDIO USA (USA and Export)  
POMPANO BEACH, FL  
support@prvaudio.com  
www.prvaudio.com