

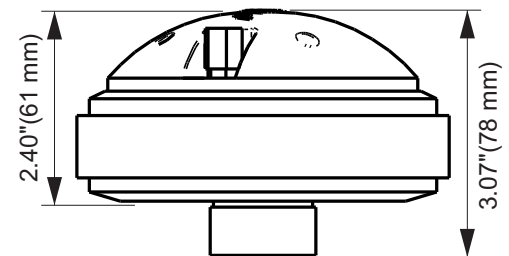
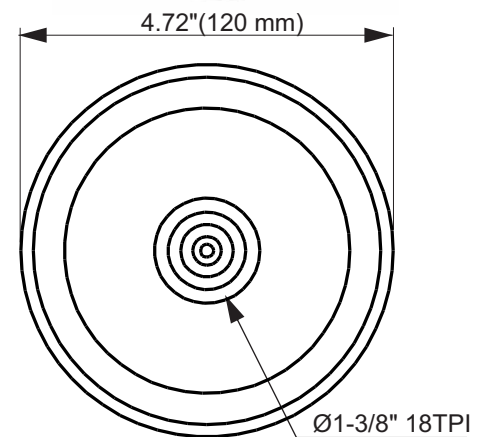
D290Py-S

Professional Compression Driver



KEY FEATURES

- 1.75" Voice coil and 1" exit
- 90 Watts continuous power handling
- 109 dB Sensitivity
- Polyimide Diaphragm
- 650-19,000 Hz



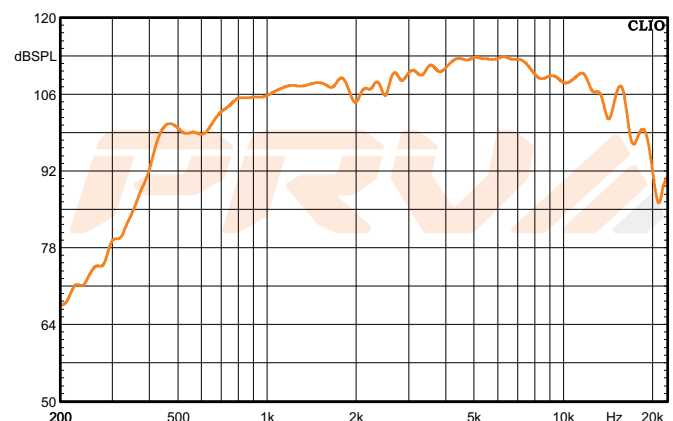
GENERAL SPECIFICATIONS

Exit Throat Diameter	1" (25.4mm)
Nominal Impedance	8 Ohms
Rated Power Handling	90 Watts
Program Power	180 Watts
Sensitivity 2.83V at 1m*	109 dB
Recommended High Pass Crossover**	1000 Hz***
for Full Power Handling	*12 db/oct Crossover
Frequency Response at -10dB	650-19,000Hz
Voice Coil Diameter	1.75" (44.4 mm)
Voice Coil Wire	Copper
Voice Coil Former Material	Kapton®
Diaphragm Material	Polyimide
Flux Density	1.85 T
Magnet Material	Ferrite

EXTRA INFO

Overall Diameter	4.72" (120 mm)
Overall Depth	3.07" (65 mm)
Mounting Thread	1 3/8" 18 TPI
Net Weight	4.96 lbs (2.25 kg)
Shipping Weight	5.15 lbs (2.33 kg)
Carton Dimensions W x L x H	5.51" x 5.31" x 3.35" (140 x 135 x 85 mm)

Frequency Response Measured at 2.83v/1m



*Frequency Response Measured on WG14-25

PRV AUDIO USA (USA and Export) PRV AUDIO BRAZIL (Brazilian Sales Only)
 FORT LAUDERDALE, FL SAO LEOPOLDO, RS
 support@prvaudio.com vendas@pvaudio.com.br
 www.prvaudio.com www.pvaudio.com.br