

D290Py-B

Professional Compression Driver

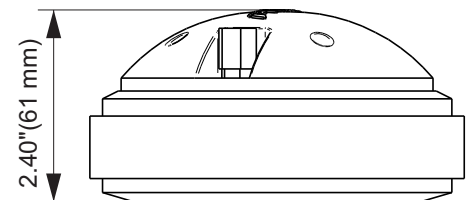
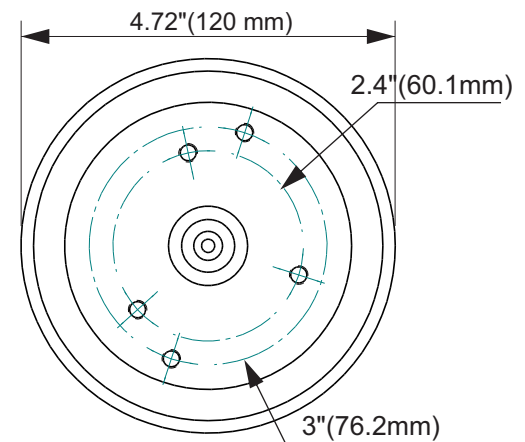


KEY FEATURES

- 1.75" Voice coil and 1" exit
- 90 Watts continuous power handling
- 109 dB Sensitivity
- Polyimide Diaphragm
- 650-19,000 Hz



Exit Throat Diameter	1" (25.4mm)
Nominal Impedance	8 Ohms
Rated Power Handling	90 Watts
Program Power	180 Watts
Sensitivity 2.83V at 1m*	109 dB
Recommended High Pass Crossover**	1000 Hz***
<small>**for Full Power Handling</small>	<small>***12 db/oct Crossover</small>
Frequency Response at -10dB	650-19,000Hz
Voice Coil Diameter	1.75"(44.4 mm)
Voice Coil Wire	Copper
Voice Coil Former Material	Kapton®
Diaphragm Material	Polyimide
Flux Density	1.85 T
Magnet Material	Ferrite

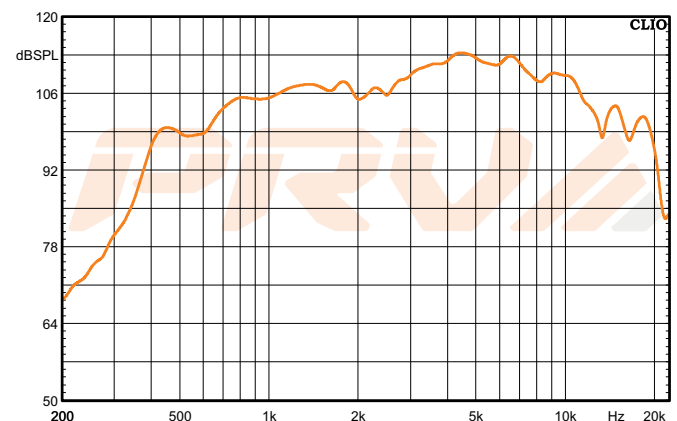


GENERAL SPECIFICATIONS

Overall Diameter	4.72" (120 mm)
Overall Depth	2.40" (61 mm)
Mounting Bolt Circle	M6 x 2 3" (76.2 mm)
	M6 x 3 2.4" (61.1 mm)
Net Weight	4.67 lbs (2.11 kg)
Shipping Weight	5.04 lbs (2.29 kg)
Carton Dimensions W x L x H	5.51" x 5.31" x 3.15" (140 x 135 x 80 mm)

EXTRA INFO

Frequency Response Measured at 2.83v/1m



*Frequency Response Measured on WG14-25

PRV AUDIO USA (USA and Export) PRV AUDIO BRAZIL (Brazilian Sales Only)
 FORT LAUDERDALE, FL SAO LEOPOLDO, RS
 support@prvaudio.com vendas@pvaudio.com.br
 www.prvaudio.com www.pvaudio.com.br