

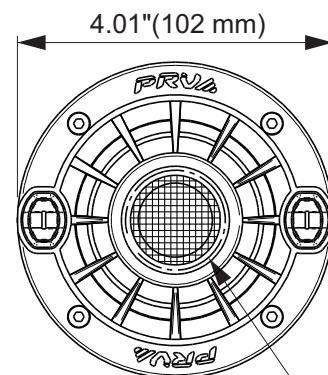
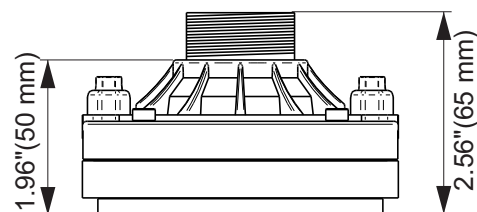
D270Ph-S

Professional Compression Driver



KEY FEATURES

- 2" Voice coil and 1" exit
- 75 Watts continuous power handling
- 107.5 dB Sensitivity
- Phenolic Diaphragm
- 400 - 8,000Hz



Ø1-3/8" 18TPI

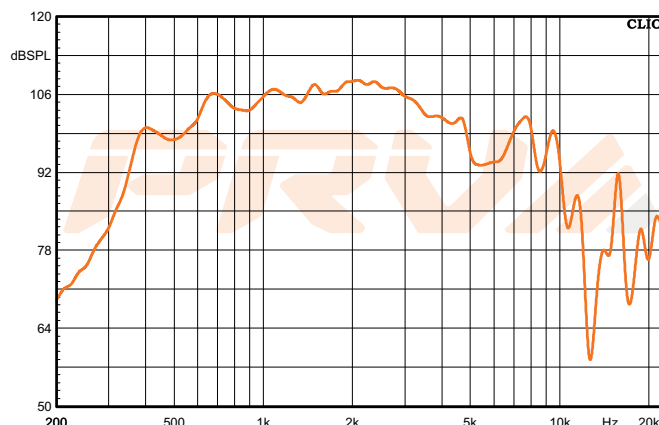
GENERAL SPECIFICATIONS

Exit Throat Diameter	1" (25.4mm)
Nominal Impedance	8 Ohms
Rated Power Handling	75 Watts
Program Power	150 Watts
Sensitivity 2.83V at 1m*	107.5 dB
Recommended High Pass Crossover**	500Hz***
for Full Power Handling	*12 db/oct Crossover
Frequency Response at -10dB	400 - 8000Hz
Voice Coil Diameter	2"(50 mm)
Voice Coil Wire	Copper
Voice Coil Former Material	Kapton®
Diaphragm Material	Phenolic resin
Flux Density	1.10 T
Magnet Material	Ferrite

EXTRA INFO

Overall Diameter	4.01" (102 mm)
Overall Depth	2.55" (65 mm)
Mounting Thread	1 3/8" 18 TPI
Net Weight	2.64 lbs (1.20 kg)
Shipping Weight	2.80 lbs (1.27 kg)
Carton Dimensions W x L x H	4.21" x 4.21" x 2.83" (107 x 107 x 72 mm)

Frequency Response Measured at 2.83v/1m



*Frequency Response Measured on WG14-25

PRV AUDIO USA (USA and Export) PRV AUDIO BRAZIL (Brazilian Sales Only)
 FORT LAUDERDALE, FL SAO LEOPOLDO, RS
 support@prvaudio.com vendas@pvaudio.com.br
 www.prvaudio.com www.pvaudio.com.br