

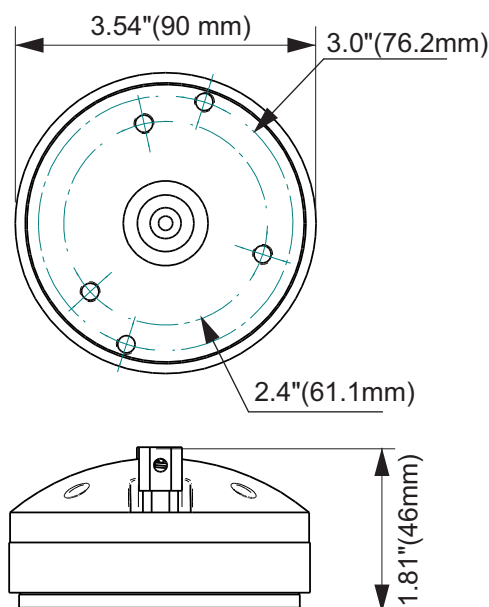
D230TI-B

Professional Compression Driver



KEY FEATURES

- 1.4" Voice coil
- 30 Watts continuous power handling
- 105 dB Sensitivity
- High grade Titanium Diaphragm



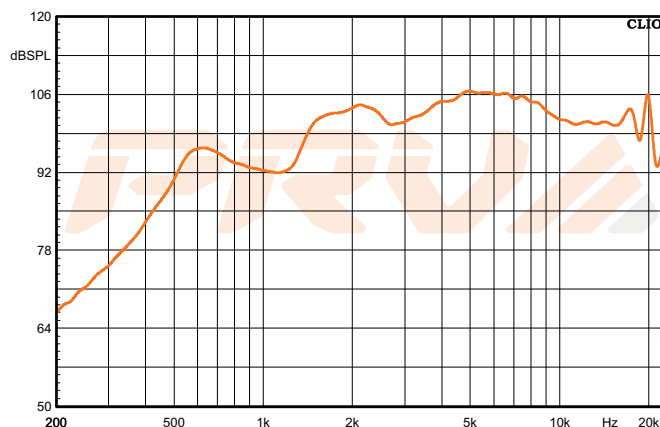
GENERAL SPECIFICATIONS

Exit Throat Diameter	1" (25.4mm)
Nominal Impedance	8 Ohms
Rated Power Handling	30 Watts
Program Power	60 Watts
Sensitivity 2.83V at 1m*	105 dB
Recommended High Pass Crossover**	2000 Hz***
for Full Power Handling	*12db/oct Crossover
Frequency Response at -10dB	1,800-20,000Hz
Voice Coil Diameter	1.4"(35.5 mm)
Voice Coil Wire	Copper
Voice Coil Former Material	Kapton®
Diaphragm Material	Titanium
Flux Density	1.65 T
Magnet Material	Ferrite

EXTRA INFO

Overall Diameter	3.54" (90 mm)
Overall Depth	1.81" (46 mm)
Mounting Bolt Circle	M6 x 2 3" (76.2 mm)
	M6 x 3 2.4" (61.1 mm)
Net Weight	1.9 lbs (0.86 kg)
Shipping Weight	2.14 lbs (0.97 kg)
Carton Dimensions W x L x H	3.74" x 3.74" x 3.15"
	(95 x 95 x 80 mm)

Frequency Response Measured at 2.83v/1m



*Frequency Response Measured on WG11-25

PRV AUDIO USA (USA and Export) PRV AUDIO BRAZIL (Brazilian Sales Only)
FORT LAUDERDALE, FL SAO LEOPOLDO, RS
support@prvaudio.com vendas@pvaudio.com.br
www.prvaudio.com www.pvaudio.com.br