

# 8MR500-NDY-4 v2

Professional Mid Range Driver



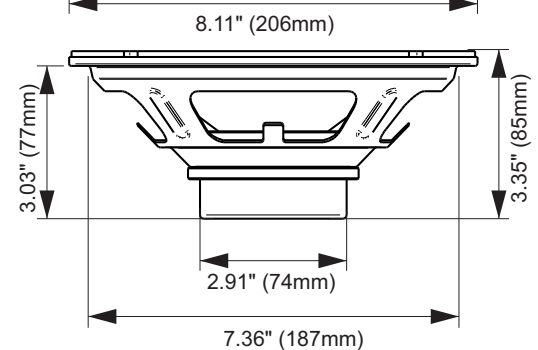
## KEY FEATURES

- 250 Watts continuous power handling
- 96 dB Sensitivity
- 90 - 9,000 Hz of frequency response
- Lightweight neodymium magnet

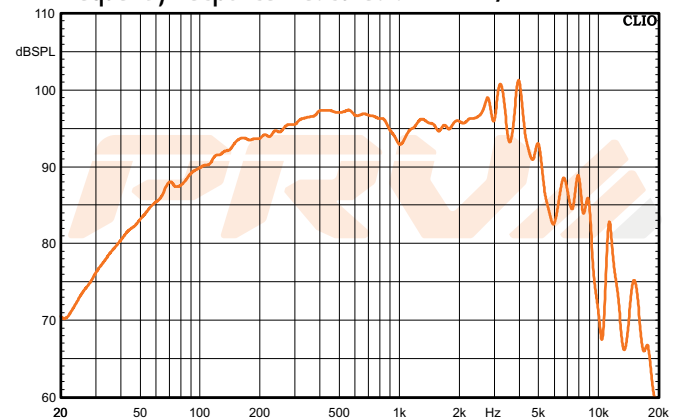
Nominal Diameter	8" (203 mm)
Nominal impedance	4 Ohms
<b>Rated Power Handling</b>	<b>250 Watts</b>
Program Power	500 Watts
<b>Sensitivity 2.00 V at 1m</b>	<b>96 dB</b>
Recommended Hi Pass Crossover*	140 Hz*
<small>*For Full Power Handling</small>	<small>*12db Per Octave Crossover</small>
<b>Frequency Response at -10dB</b>	<b>90- 9,000 Hz</b>
Voice Coil Diameter	2.0" (51 mm)
Voice Coil Wire	CCAW
Voice Coil Winding Depth	11.0 mm
Former Material	Kapton
Magnetic Gap Depth	8.0 mm
Frame Material	Stamped Steel

Equivalent Volume	Vas	14.47 l
Excursion	Xmax	3.5 mm
Free Air Resonance	Fs	80.79 Hz
Mechanical Factor	Qms	5.18
Electrical Factor	Qes	0.48
Total Factor	Qts	0.44
Cone Area	Sd	241 cm <sup>2</sup>
Mechanical Mass	Mms	21.66 g
Bl Factor	BL	9.16 Tm
Dc Resistance	Re	3.7 Ohms
Inductance	Le	0.35 mH at 1 kHz
Mechanical Mass Without Air	Mmd	19.55 g
Mechanical Compliance	Cms	0.179 mm/N

Overall Diameter	8.11" (206 mm)
Front Mount Baffle Cutout	7.36" (187 mm)
Mounting Depth	3.03" (77 mm)
Overall Depth	3.35" (85 mm)
Net Weight	2.42 Lbs (1.1 kg)
Shipping Weight	3.08 Lbs (1.4 kg)
Carton Dimensions W x L x H	9.05" x 9.05" x 5.11" (230 x 230 x 130 mm)



Frequency Response Measured at 2.00 V/1m



PRV AUDIO USA (USA and Export) FORT LAUDERDALE, FL support@prvaudio.com www.prvaudio.com  
 PRV AUDIO BRAZIL (Brazilian Sales Only) SAO LEOPOLDO, RS vendas@pvaudio.com.br www.pvaudio.com.br

\*\*Xmax=(Voice coil winding depth-Magnetic Gap depth)/2+ Mgnetic Gap Depth/4  
 \*\*\* T-S parameters measured after 2 hours at 1/2 Rated power, pink noise preconditioning test

GENERAL SPECIFICATIONS

THIELE-SMALL PARAMETERS

EXTRA INFO