

8MB700FT-NDY-4

Professional Mid Bass Driver



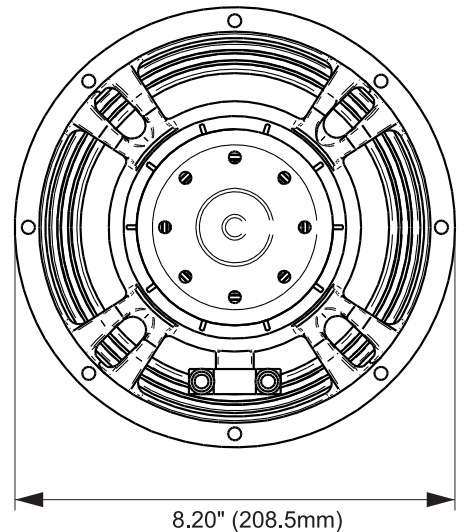
KEY FEATURES

- 350 Watts continuous power handling
- 98 dB Sensitivity
- 70 - 5,600 Hz of frequency response
- Lightweight neodymium magnet



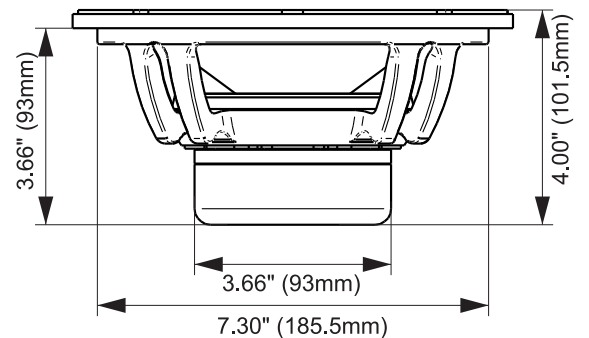
GENERAL SPECIFICATIONS

Nominal Diameter	8" (203 mm)
Nominal impedance	4 Ohm
Nominal Power Handling	350 Watts
Continuous Program Power (RMS)	700 Watts
Max Peak Power	1400 Watts
Sensitivity 2.00V at 1m	98 dB
Recommended Hi Pass Crossover*	95 Hz*
<small>*For Full Power Handling</small>	<small>*12db Per Octave Crossover</small>
Frequency Response	70 - 5,600 Hz
Voice Coil Diameter	2.5" (51 mm)
Voice Coil Wire	CCAW
Voice Coil Winding Depth	11.5 mm
Former Material	Glass Fiber
Magnetic Gap Depth	8.0 mm
Frame Material	Die cast Aluminum



THIELE-SMALL PARAMETERS

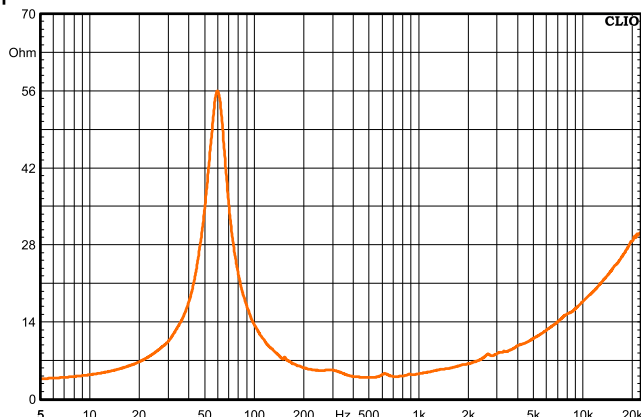
Equivalent Volume	Vas	24.97 l
Excursion (mathematical)***	Xmax	3.75 mm
Free Air Resonance	Fs	59.6 Hz
Mechanical Factor	Qms	3.81
Electrical Factor	Qes	0.24
Total Factor	Qts	0.22
Cone Area	Sd	249 cm ²
Mechanical Mass	Mms	24.67 g
Bl Factor	Bl	11.30 Tm
Dc Resistance	Re	3.3 Ohm
Inductance	Le	0.266mH at 1kHz
Mechanical Mass Without Air	Mmd	22.45 g
Mechanical Compliance	Cms	0.288 mm/N



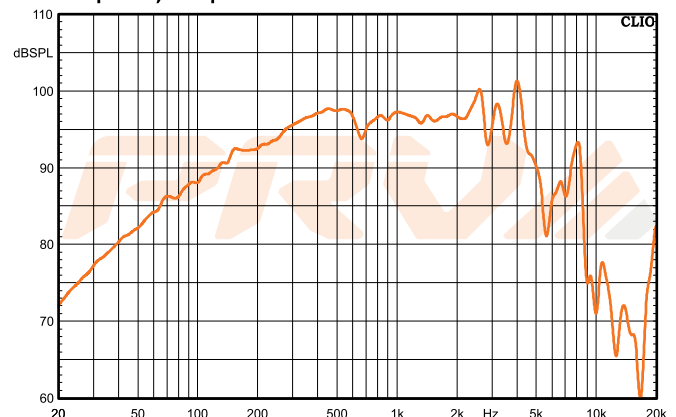
EXTRA INFO

Overall Diameter	8.20" (208.5 mm)
Front Mount Baffle Cutout	7.30" (185.5 mm)
Mounting Depth	3.66" (93 mm)
Overall Depth	4.00" (101.5 mm)
Net Weight	4.32 Lbs (1.96 kg)
Shipping Weight	5.51 Lbs (2.50 kg)
Carton Dimensions W x L x H	9.05" x 9.05" x 5.11" (230 x 230 x 130 mm)

Impedance Curve - Free Air



Frequency Response Measured at 2.00V/1m



**Xmax=(Voice coil winding depth-Magnetic Gap depth)/2+ Magnetic Gap Depth/4

*** T-S parameters measured after 2 hours at 1/2 Rated power, pink noise preconditioning test