

8MB700FT

Professional Mid Bass Driver



KEY FEATURES

- 700 Watts continuous program power
- 97 dB Sensitivity
- 80 - 5,600 Hz of frequency response



GENERAL SPECIFICATIONS

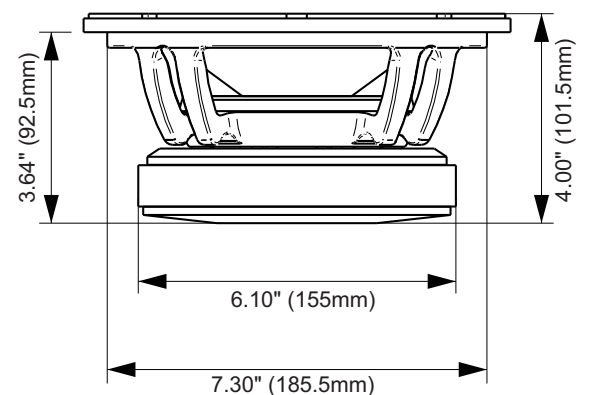
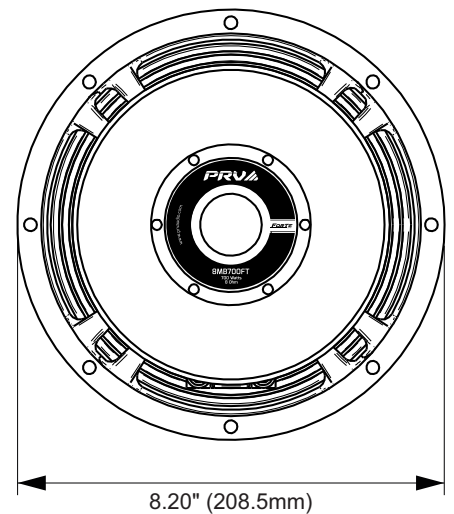
Nominal Diameter	8" (203 mm)
Nominal impedance	8 Ohm
Nominal Power Handling	350 Watts
Continuous Program Power (RMS)	700 Watts
Max Peak Power	1400 Watts
Sensitivity 2.83V at 1m	97 dB
Recommended Hi Pass Crossover*	95 Hz*
<small>*For Full Power Handling</small>	<small>*12db Per Octave Crossover</small>
Frequency Response	80 - 5,600 Hz
Voice Coil Diameter	2.5" (51 mm)
Voice Coil Wire	CCAW
Voice Coil Winding Depth	11.0 mm
Former Material	Glass Fiber
Magnetic Gap Depth	8.0 mm
Frame Material	Die cast Aluminum

THIELE-SMALL PARAMETERS

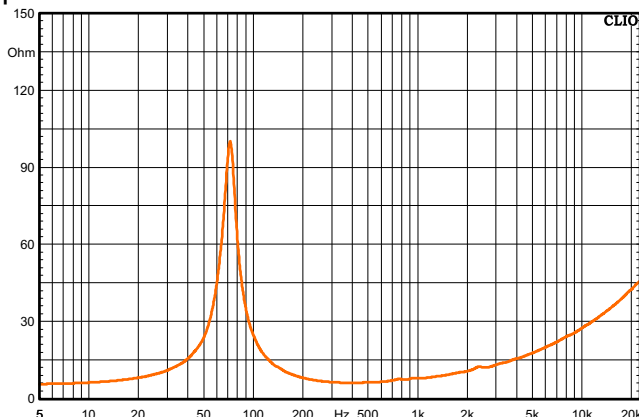
Equivalent Volume	Vas	20.0 l
Excursion (mathematical)***	Xmax	3.50 mm
Free Air Resonance	Fs	72.3 Hz
Mechanical Factor	Qms	6.01
Electrical Factor	Qes	0.33
Total Factor	Qts	0.31
Cone Area	Sd	249 cm ²
Mechanical Mass	Mms	20.94 g
Bl Factor	Bl	12.25 Tm
Dc Resistance	Re	5.2 Ohms
Inductance	Le	0.46 mH at 1 kHz
Mechanical Mass Without Air	Mmd	18.71 g
Mechanical Compliance	Cms	0.231 mm/N

EXTRA INFO

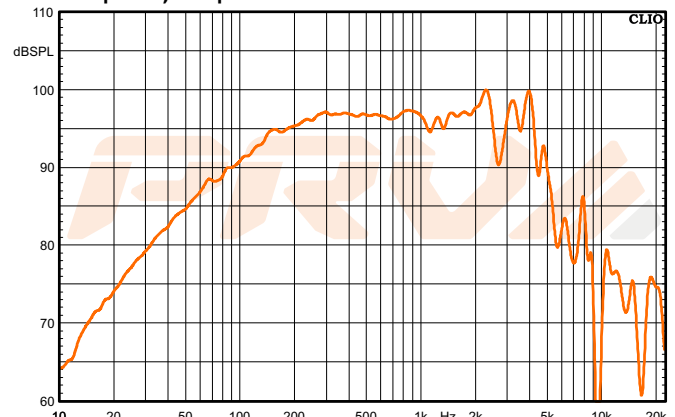
Overall Diameter	8.20" (208.5 mm)
Front Mount Baffle Cutout	7.30" (185.5 mm)
Mounting Depth	3.64" (92.5 mm)
Overall Depth	4.00" (101.5 mm)
Net Weight	9.38 Lbs (4.06 kg)
Shipping Weight	9.65 Lbs (4.38 kg)
Carton Dimensions W x L x H	9.05" x 9.05" x 5.0" (230 x 230 x 127 mm)



Impedance Curve - Free Air



Frequency Response Measured at 2.83V/1m



**Xmax=(Voice coil winding depth-Magnetic Gap depth)/2+ Magnetic Gap Depth/4
 *** T-S parameters measured after 2 hours at 1/2 Rated power, pink noise preconditioning test

PRVA AUDIO USA (USA and Export)
 POMPANO BEACH, FL
 support@prvaudio.com
 www.prvaudio.com