

8MB500

Professional Mid Bass Driver



KEY FEATURES

- 2" Voice coil
- 500 Watts continuous program power
- 95 dB Sensitivity
- 75 - 7,500 Hz



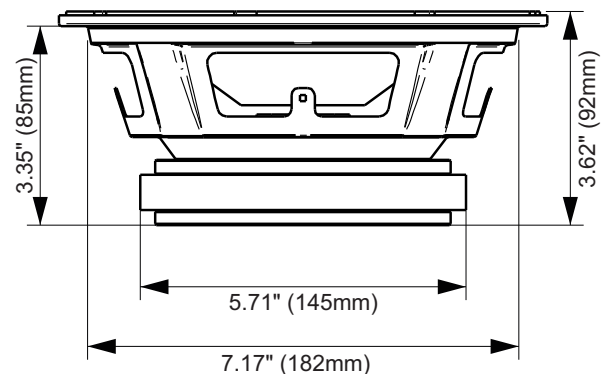
GENERAL SPECIFICATIONS

Nominal Diameter	8" (203 mm)
Nominal impedance	8 Ohm
Nominal Power Handling	250 Watts
Continuous Program Power (RMS)	500 Watts
Max Peak Power	1000 Watts
Sensitivity 2.83V at 1m	95 dB
Recommended Hi Pass Crossover*	95 Hz*
<small>*For Full Power Handling</small>	<small>*12db Per Octave Crossover</small>
Frequency Response	75 - 7,500 Hz
Voice Coil Diameter	2" (50 mm)
Voice Coil Wire	CCAW
Voice Coil Winding Depth	12.0 mm
Former Material	Kapton
Magnetic Gap Depth	6.0 mm
Frame Material	Stamped Steel



THIELE-SMALL PARAMETERS

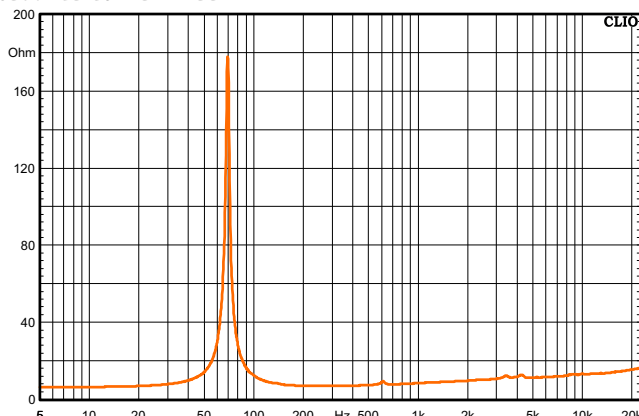
Equivalent Volume	Vas	19.38 l
Excursion (mathematical)***	Xmax	4.50 mm
Free Air Resonance	Fs	69.4 Hz
Mechanical Factor	Qms	21.86
Electrical Factor	Qes	0.78
Total Factor	Qts	0.75
Cone Area	Sd	241 cm ²
Mechanical Mass	Mms	21.91 g
Bl Factor	Bl	8.66 Tm
Dc Resistance	Re	6.1 Ohm
Inductance	Le	0.29 mH at 1 kHz
Mechanical Mass Without Air	Mmd	18.80 g
Mechanical Compliance	Cms	0.240 mm/N



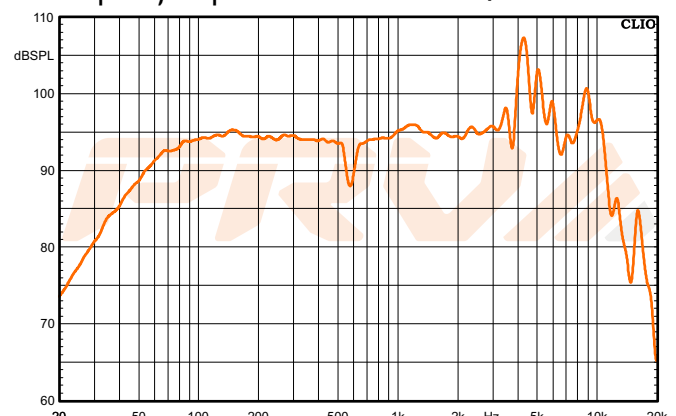
EXTRA INFO

Overall Diameter	8.25" (209.5 mm)
Front Mount Baffle Cutout	7.17" (182 mm)
Mounting Depth	3.35" (85 mm)
Overall Depth	3.62" (92 mm)
Net Weight	5.55 Lbs (2.52 kg)
Shipping Weight	6.15 Lbs (2.78 kg)
Carton Dimensions W x L x H	9.84" x 9.84" x 4.33" (250 x 250 x 110 mm)

Impedance Curve - Free Air



Frequency Response Measured at 2.83V/1m



**Xmax=(Voice coil winding depth-Magnetic Gap depth)/2+ Magnetic Gap Depth/4
 *** T-S parameters measured after 2 hours at 1/2 Rated power, pink noise preconditioning test

PRVA AUDIO USA (USA and Export)
 POMPANO BEACH, FL
 support@prvaudio.com
 www.prvaudio.com