

8CX380-4 SLIM

Professional Coaxial Driver



KEY FEATURES

- 1.5" / 1" Voice coil
- 380 Watts Continuous Program Power
- 97 dB Sensitivity
- 100 - 20,000 Hz

GENERAL SPECIFICATIONS

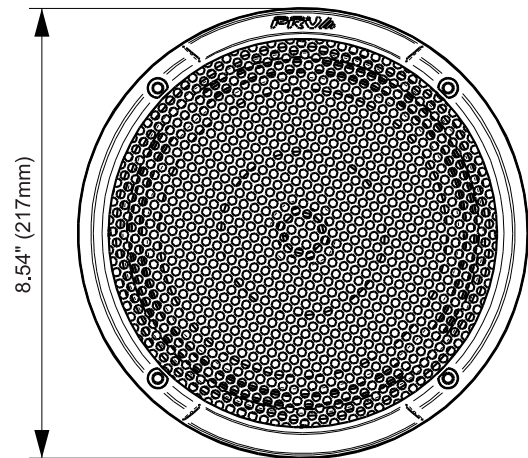
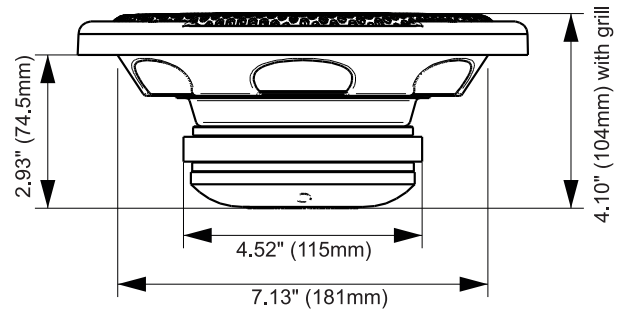
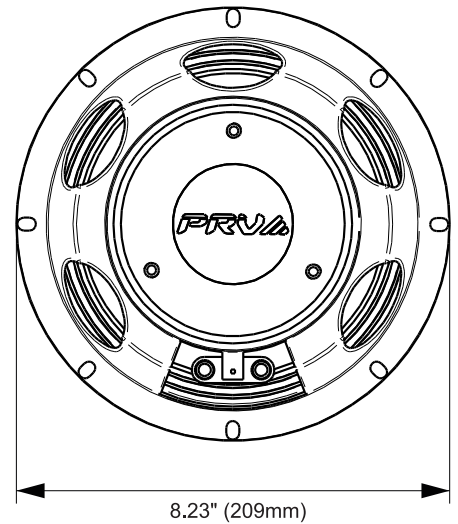
	Low Freq.	High Freq.
Nominal and Throat Diameter	8"(203mm)	1"(25.4mm)
Nominal impedance	4 Ohm	
Nominal Power Handling	190 Watts	
Continuous Program Power (RMS)	380 Watts	
Max Peak Power	760 Watts	
Sensitivity 2.00V at 1m	97 dB	
Recommended Hi Pass Crossover*	110 Hz	
<small>*For Full Power Handling</small>	<small>*12db/oct Crossover</small>	
Frequency Response	100 - 20,000Hz	
Voice Coil Diameter	1.5"(38 mm)	1.0"(25mm)
Voice Coil Wire	Copper	CCAW
Voice Coil Winding Depth	8.0 mm	N/A
Former Material	Kapton	Kapton
Magnetic Gap Depth	5.0 mm	N/A
Frame and Diaphragm Material	S. Steel	Mylar

THIELE-SMALL PARAMETERS

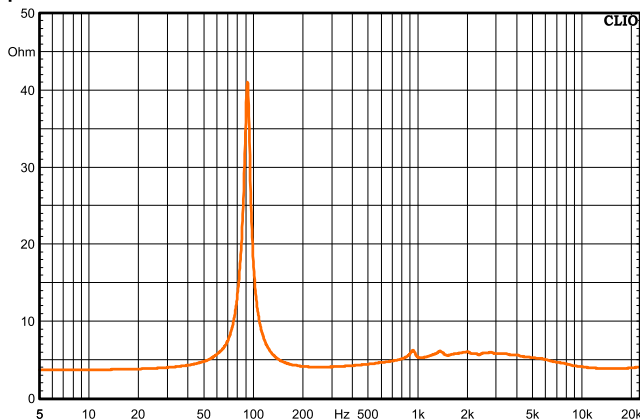
Equivalent Volume	Vas	17.21 l
Excursion (mathematical)***	Xmax	2.75 mm
Free Air Resonance	Fs	92.1 Hz
Mechanical Factor	Qms	12.43
Electrical Factor	Qes	1.19
Total Factor	Qts	1.09
Cone Area	Sd	235 cm ²
Mechanical Mass	Mms	13.38 g
Bl Factor	BL	4.83 Tm
Dc Resistance	Re	3.6 Ohm
Inductance	Le	0.030 mH at 1 kHz
Mechanical Mass Without Air	Mmd	11.34 g
Mechanical Compliance	Cms	0.223 mm/N

EXTRA INFO

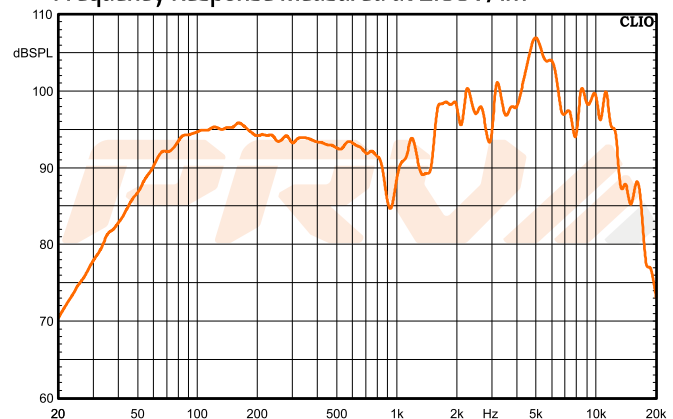
Overall Diameter	8.23" (209 mm)
Front Mount Baffle Cutout	7.13" (181 mm)
Mounting Depth	2.93" (74.5 mm)
Overall Depth	4.10" (104 mm) (with grill)
Net Weight	4.30 Lbs (1.95 kg)
Shipping Weight	4.85 Lbs (2.20 kg)
Carton Dimensions W x L x H	9.50"x 9.25" x 5.50" (241 x 235 x 140mm)



Impedance Curve - Free Air



Frequency Response Measured at 2.00V/1m



**Xmax=(Voice coil winding depth-Magnetic Gap depth)/2+ Magnetic Gap Depth/4
 *** T-S parameters measured after 2 hours at 1/2 Rated power, pink noise preconditioning test

PRV AUDIO USA (USA and Export)
 POMPANO BEACH, FL
 support@prvaudio.com
 www.prvaudio.com