

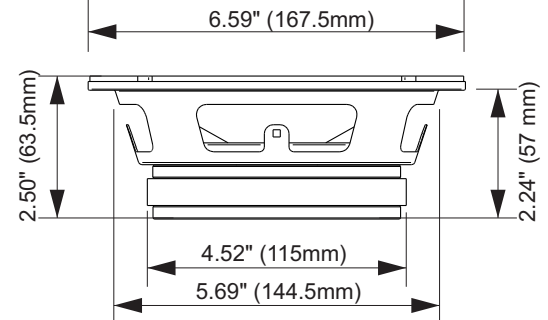
# 6MR200A

## Professional Midrange Driver



### KEY FEATURES

- 1.5" Voice coil
- 100 Watts continuous power handling
- 94 dB Sensitivity
- 155- 11,000 Hz



### GENERAL SPECIFICATIONS

Nominal Diameter	6" (152 mm)
Nominal impedance	8 ohms
<b>Rated Power Handling</b>	<b>100 Watts</b>
Program Power	200 Watts
<b>Sensitivity 2.83V at 1m</b>	<b>94 dB</b>
Recommended Hi Pass Crossover*	150 Hz*
<small>*For Full Power Handling</small>	<small>*12db Per Octave Crossover</small>
<b>Frequency Response at -10dB</b>	<b>155 - 11,000 Hz</b>
Voice Coil Diameter	1.5" (38 mm)
Voice Coil Wire	Copper
Voice Coil Winding Depth	8.0 mm
Former Material	Kapton
Magnetic Gap Depth	5.5 mm
Frame Material	Stamped Steel

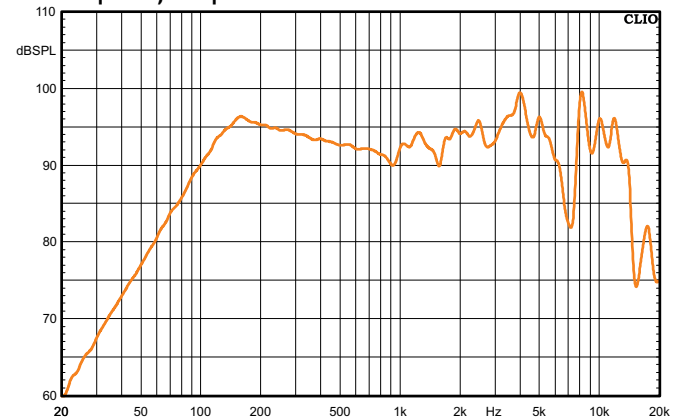
### THIELE-SMALL PARAMETERS

Equivalent Volume	Vas	3.16 l
Excursion (mathematical)***	Xmax	2.62 mm
Free Air Resonance	Fs	144.1 Hz
Mechanical Factor	Qms	13.16
Electrical Factor	Qes	1.28
Total Factor	Qts	1.17
Cone Area	Sd	137 cm <sup>2</sup>
Mechanical Mass	Mms	10.1 g
Bl Factor	BL	6.27 Tm
Dc Resistance	Re	5.5 Ohms
Inductance	Le	0.26 mH at 1 kHz
Mechanical Mass Without Air	Mmd	9.02 g
Mechanical Compliance	Cms	0.120 mm/N

### EXTRA INFO

Overall Diameter	6.59" (167.5 mm)
Front Mount Baffle Cutout	5.69" (144.5 mm)
Mounting Depth	2.24" (57 mm)
Overall Depth	2.5" 63.5 mm)
Net Weight	3.52 Lbs (1.60 kg)
Shipping Weight	3.79 Lbs (1.75 kg)
Carton Dimensions W x L x H	7.40" x 7.48" x 4.45" (188 x 190 x 113mm)

Frequency Response Measured at 2.83V/1m



\*\*\*Xmax=(Voice coil winding depth-Magnetic Gap depth)/2+ Mgnetic Gap Depth/4

PRV AUDIO USA (USA and Export) PRV AUDIO BRAZIL (Brazilian Sales Only)  
 FORT LAUDERDALE, FL SAO LEOPOLDO, RS  
 support@prvaudio.com vendas@pvaudio.com.br  
 www.prvaudio.com www.pvaudio.com.br