

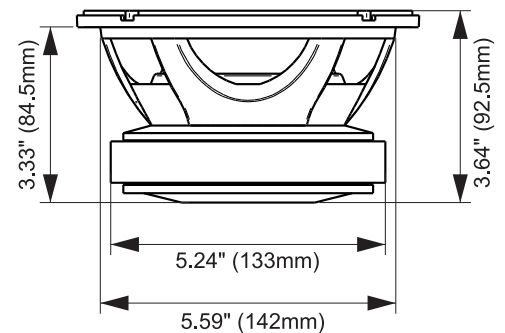
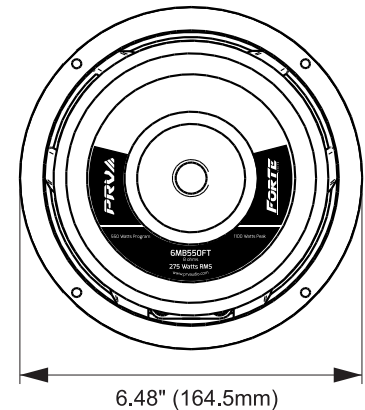
6MB550FT

Professional Mid Bass Driver



KEY FEATURES

- 275 Watts continuous power handling
- 94.5 dB Sensitivity
- 85 - 7,500 Hz of frequency response



GENERAL SPECIFICATIONS

Nominal Diameter	6" (152 mm)
Nominal impedance	8 Ohms
Rated Power Handling	275 Watts
Program Power	550 Watts
Sensitivity 2.83 V at 1m	94.5 dB
Recommended Hi Pass Crossover*	95 Hz*
<small>*For Full Power Handling</small>	<small>*12db Per Octave Crossover</small>
Frequency Response at -10dB	85 - 7,500 Hz
Voice Coil Diameter	2" (51 mm)
Voice Coil Wire	CCAW
Voice Coil Winding Depth	14.8 mm
Former Material	Kapton
Magnetic Gap Depth	8.0 mm
Frame Material	Die cast aluminum

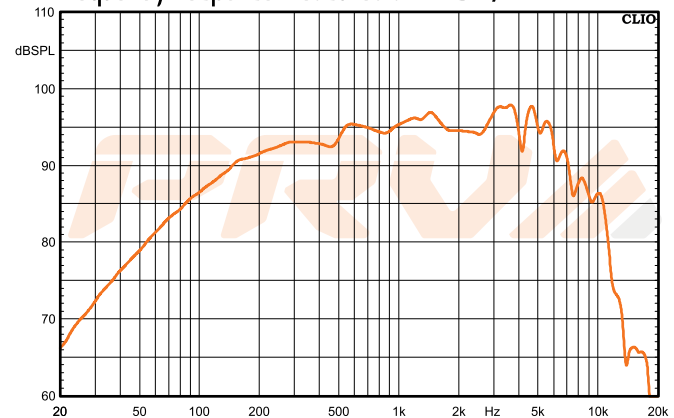
THIELE-SMALL PARAMETERS

Equivalent Volume	Vas	8.23 l
Excursion	Xmax	5.40 mm
Free Air Resonance	Fs	84.9 Hz
Mechanical Factor	Qms	3.83
Electrical Factor	Qes	0.38
Total Factor	Qts	0.34
Cone Area	Sd	143 cm ²
Mechanical Mass	Mms	12.1 g
Bl Factor	BL	9.77 Tm
Dc Resistance	Re	5.6 Ohms
Inductance	Le	0.424mH at 1 kHz
Mechanical Mass Without Air	Mmd	11.1 g
Mechanical Compliance	Cms	0.291 mm/N

EXTRA INFO

Overall Diameter	6.48" (164.5 mm)
Front Mount Baffle Cutout	5.59" (142 mm)
Mounting Depth	3.33" (84.5 mm)
Overall Depth	3.64" (92.5 mm)
Net Weight	5.95 Lbs (2.70 kg)
Shipping Weight	6.28 Lbs (2.85 kg)
Carton Dimensions W x L x H	7.08" x 7.08" x 4.53" (180 x 180 x 115 mm)

Frequency Response Measured at 2.83 V/1m



PRV AUDIO USA (USA and Export) PRV AUDIO BRAZIL (Brazilian Sales Only)
 POMPANO BEACH, FL SAO LEOPOLDO, RS
 support@prvaudio.com vendas@pvaudio.com.br
 www.prvaudio.com www.pvaudio.com.br

**Xmax=(Voice coil winding depth-Magnetic Gap depth)/2+ Magnetic Gap Depth/4
 *** T-S parameters measured after 2 hours at 1/2 Rated power, pink noise preconditioning test