

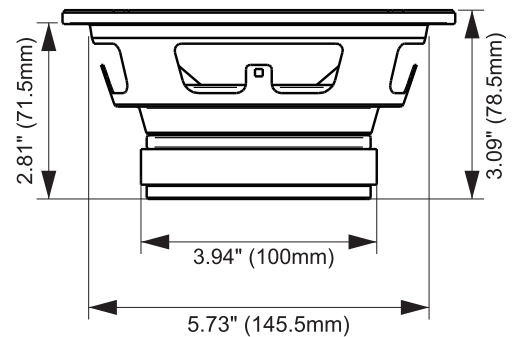
# 6FR200

Professional Full Range Driver

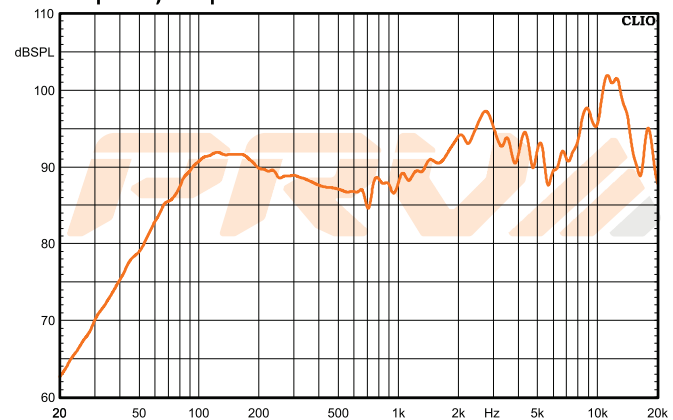


## KEY FEATURES

- 100 Watts continuous power handling
- 92.5 dB Sensitivity
- 80 - 20,000 Hz of frequency response



Frequency Response Measured at 2.83 V/1m



GENERAL SPECIFICATIONS

Nominal Diameter	6" (152 mm)
Nominal impedance	8 Ohms
<b>Rated Power Handling</b>	<b>100 Watts</b>
Program Power	200 Watts
<b>Sensitivity 2.83 V at 1m</b>	<b>92.5 dB</b>
Recommended Hi Pass Crossover*	85 Hz*
<small>*For Full Power Handling</small>	<small>*12db Per Octave Crossover</small>
<b>Frequency Response at -10dB</b>	<b>80 - 20,000 Hz</b>
Voice Coil Diameter	1.5" (38 mm)
Voice Coil Wire	CCAW
Voice Coil Winding Depth	10.0 mm
Former Material	Kapton
Magnetic Gap Depth	6.0 mm
Frame Material	Stamped Steel

THIELE-SMALL PARAMETERS

Equivalent Volume	Vas	6.93 l
Excursion	Xmax	3.50 mm
Free Air Resonance	Fs	111.7 Hz
Mechanical Factor	Qms	15.69
Electrical Factor	Qes	1.40
Total Factor	Qts	1.29
Cone Area	Sd	143 cm <sup>2</sup>
Mechanical Mass	Mms	8.37 g
Bl Factor	BL	5.17 Tm
Dc Resistance	Re	6.4 Ohms
Inductance	Le	0.264mH at 1 kHz
Mechanical Mass Without Air	Mmd	7.40 g
Mechanical Compliance	Cms	0.242 mm/N

EXTRA INFO

Overall Diameter	6.55" (166.5 mm)
Front Mount Baffle Cutout	5.73" (145.5 mm)
Mounting Depth	2.81" (71.5 mm)
Overall Depth	3.09" (78.5 mm)
Net Weight	2.78 Lbs (1.27 kg)
Shipping Weight	3.08 Lbs (1.4 kg)
Carton Dimensions W x L x H	6.89" x 6.89" x 3.74". (175 x 175 x 95 mm)

\*\*Xmax=(Voice coil winding depth-Magnetic Gap depth)/2+ Mgnetic Gap Depth/4

PRV AUDIO USA (USA and Export) PRV AUDIO BRAZIL (Brazilian Sales Only)  
 POMPANO BEACH, FL SAO LEOPOLDO, RS  
 support@prvaudio.com vendas@pvaudio.com.br  
 www.prvaudio.com www.pvaudio.com.br