

69MR500CF-NDY-4

Professional Midrange Driver



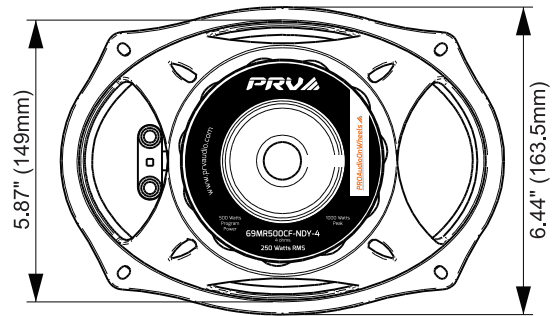
KEY FEATURES

- 250 Watts continuous power handling
- 96 dB Sensitivity
- Water-resistant carbon fiber cone
- Lightweight neodymium magnet



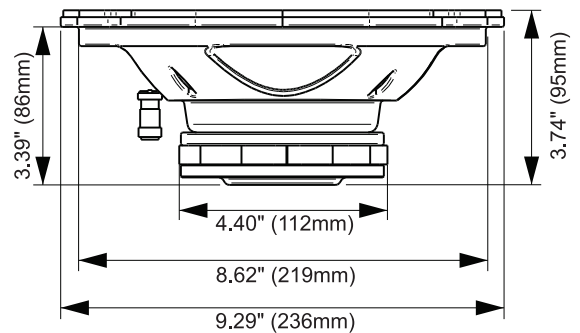
GENERAL SPECIFICATIONS

Nominal Diameter	6"x9" (152 x 228 mm)
Nominal impedance	4 ohms
Rated AES Power Handling	250 Watts
Program Power	500 Watts
Sensitivity 2.00V at 1m	96 dB
Recommended Hi Pass Crossover*	110Hz*
*For Full Power Handling *12db Per Octave Crossover	
Frequency Response	100 - 13,000 Hz
Voice Coil Diameter	2" (50.8 mm)
Voice Coil Wire	CCAW
Voice Coil Winding Depth	10 mm
Former Material	Kapton
Magnetic Gap Depth	7.0 mm
Frame Material	Stamped Steel



THIELE-SMALL PARAMETERS

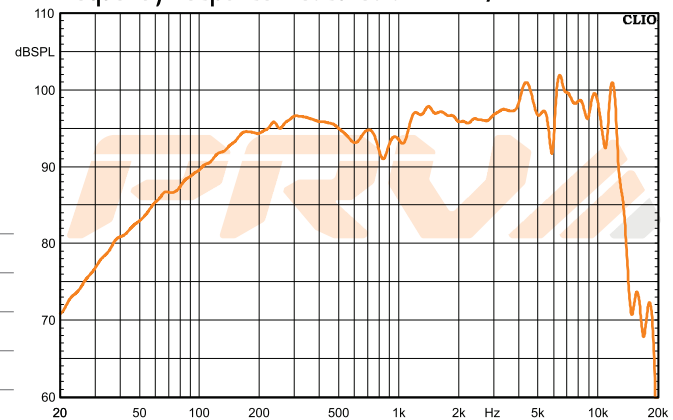
Equivalent Volume	Vas	8.95 l
Excursion (mathematical)***	Xmax	3.25 mm
Free Air Resonance	Fs	91.0 Hz
Mechanical Factor	Qms	15.81
Electrical Factor	Qes	0.36
Total Factor	Qts	0.35
Cone Area	Sd	216 cm ²
Mechanical Mass	Mms	22.34 g
Bl Factor	BL	10.92 Tm
Dc Resistance	Re	3.4 Ohms
Inductance	Le	0.05 mH at 1 kHz
Mechanical Mass Without Air	Mmd	20.54 g
Mechanical Compliance	Cms	0.136 mm/N



EXTRA INFO

Overall Diameter	6.44"x9.29"(163.5x236 mm)
Front Mount Baffle Cutout	5.87" x 8.62" (149x219 mm)
Mounting Depth	3.39" (86 mm)
Overall Depth	3.74" (95 mm)
Net Weight (unit)	3.86 Lbs (1.75 kg)
Shipping Weight(pair)	9.70 Lbs (4.4 kg)
Carton Dimensions W x L x H	15,3" x 10,8" x 5,31" (390 x 275 x 135 mm)

Frequency Response Measured at 2.00V/1m



PRV AUDIO USA (USA and Export) PRV AUDIO BRAZIL (Brazilian Sales Only)
 Pompano Beach, FL SAO LEOPOLDO, RS
 support@prvaudio.com vendas@pvaudio.com.br
 www.prvaudio.com www.pvaudio.com.br

***Xmax=(Voice coil winding depth-Magnetic Gap depth)/2+ Mgnetic Gap Depth/4